

SQUARE SCRUB® Versatility²

www.squarescrub.com | 800-557-6822

Effective
1/1/2019

2019 PRODUCT LIST



Table of Contents

- 2 Machines
- 6 Pads
- 10 Bucket on a Stick
- 11 Solution Tank & HEPA Vac
- 13 Doodle Scrub & Doodle Mop
- Replacement Parts
- 17 Pivot Replacement Parts
- 23 Universal Replacement Parts
- 27 Pre-Pivot Replacement Parts
- 33 Machine Diagrams

***Specifications and information contained in this price list are subject to change without notice.

SQUARE SCRUB MACHINES

SQUARESCRUB.COM | 800-557-6822

Doodle Scrub

SS EBG-9



The Doodle Scrub is the perfect companion to any of the EBG-Series floor preparation machines. The Doodle Scrub features a powerful high speed 4100 rpm, 1/3 hp motor that pulls just 1.2 amps, and a fixed weight of 21 pounds. This is the same pounds per square inch as the EBG-20/C. The Doodle Scrub has a 30 ft, 18 gauge power cord. This machine has a 2-position clip on handle, which can be attached to the end or middle of the base.



Now includes carry strap & handle trigger.

Doodle Skate

SS EBG-9-SKATE



Turn the Doodle Scrub sideways to scrub baseboards, tile & grout, and more. Not compatible with the Doodle Mop EBG-16.



Doodle Scrub Deluxe

SS EBG-9-DLX



This complete Doodle Scrub Package includes: Doodle Scrub EBG-9 with carry strap, handle trigger, Doodle Skate, 4 Blue Driver Pads, 4 White Driver Pads, 2 SHO Pads, 4 SQP Pads, 1 White Pad, 2 Tile & Grout Pads, & 1 Xtreme Sponge.



***Specifications and information contained in this price list are subject to change without notice.

SQUARE SCRUB MACHINES

SQUARESCRUB.COM | 800-557-6822

Doodle Scrub 24" Handle

SS EBG-9-H24



A standard Doodle Scrub EBG-9 with a shorter 24" handle. For additional information on the Doodle Scrub EBG-9, see page 2.

Also includes the carry strap and handle trigger.



Doodle Mop

SS EBG-16



The Doodle Mop is designed for everyday floor mopping & improved soil removal. The 4000 rpm motor drastically improves cleaning vs hand mopping. Doodle Mop works with disposable microfiber pads (SS 0410Z). Includes carry strap & handle trigger.



Doodle Mop Disposable Microfiber Pads

SS 0410Z



The Doodle Mop disposable microfiber pads help increase soil removal. Sold 25 per pack.

SQUARE SCRUB MACHINES

SQUARESCRUB.COM | 800-557-6822

SS EBG-18 PIVOT



The EBG-18 PIVOT Surface Preparation Machine features a smooth 3450 rpm motor, 50-foot, 14 gauge power cord with lighted hospital grade plug, removable weights and Dust Containment Kit. The 6" x 2" non-marking ball bearing wheels are coupled with a 3/4" axle for greater mobility. The new Square Scrub Pivot includes a pivoting head for balanced contact & easier control. The pivoting head releases the control handle from the bottom of the base, allowing the machine to pivot freely front to back. This pivoting motion follows uneven floors more efficiently.



SS EBG-20/C PIVOT



The EBG-20/C PIVOT Surface Preparation Machine features a smooth 3450 rpm motor, 50-foot, 14 gauge power cord with lighted hospital grade plug, removable weights and Dust Containment Kit. The 6" x 2" non-marking ball bearing wheels are coupled with a 3/4" axle for greater mobility. The new Square Scrub Pivot includes a pivoting head for balanced contact & easier control. The pivoting head releases the control handle from the bottom of the base, allowing the machine to pivot freely front to back. This pivoting motion follows uneven floors more efficiently.



SS EBG-28 PIVOT



Powerful, heavy, and durable, the EBG-28 PIVOT Surface Preparation Machine features a smooth 3450 rpm motor, 50-foot, 14 gauge power cord with lighted hospital grade plug, removable weights and Dust Containment Kit. The 6" x 2" non-marking ball bearing wheels are coupled with a 3/4" axle for greater mobility. The new Square Scrub Pivot includes a pivoting head for balanced contact & easier control. The pivoting head releases the control handle from the bottom of the base, allowing the machine to pivot freely front to back. This pivoting motion follows uneven floors more efficiently.



SQUARE SCRUB MACHINES

SQUARESCRUB.COM | 800-557-6822

SS EBG-18V PIVOT



A standard EBG-18 PIVOT Floor Preparation Machine with the HEPA Dry Vac installed. For additional information on the EBG-18 PIVOT, see page 4. For additional information on the HEPA Dry Vac Kit, see page 4.

HEPA Dry Vac Kit will be boxed separately.



SS EBG-20/CV PIVOT



A standard EBG-20/C PIVOT Floor Preparation Machine with the HEPA Dry Vac installed. For additional information on the EBG-20/C PIVOT, see page 4. For additional information on the HEPA Dry Vac Kit, see page 4.

HEPA Dry Vac Kit will be boxed separately.



SS EBG-28V PIVOT



A standard EBG-28 PIVOT Floor Preparation Machine with the HEPA Dry Vac installed. For additional information on the EBG-28 PIVOT, see page 4. For additional information on the HEPA Dry Vac Kit, see page 4.

HEPA Dry Vac Kit will be boxed separately.



PADS FOR SQUARE SCRUB MACHINES

SQUARESCRUB.COM | 800-557-6822

SQP Pad



SQP is a thin pad designed to remove floor finish without chemicals. Remove several layers of acrylic finish to prep for recoating. USE dry or wet on VCT and tile.

Size	Number		
5.25x10.5 60/case	SS P0511SQP		
20-inch 10/case	SS P1420SQP		
28-inch 10/case	SS P1428SQP		

Blue Driver Pad



This medium to heavy duty blue pad can be used for heavier cleaning and buffing situations, but primarily used as a spacer pad. Always check spacer and driver pads frequently for wear and replace as needed. Use wet or dry on VCT and tile.

Size	Number		
5.25x10.5 18/case	SS P0511BLU		
20-inch 5/case	SS P1420BLU		
28-inch 5/case	SS P1428BLU		

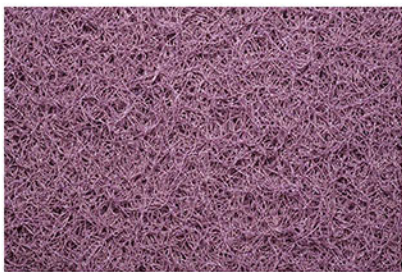
Red Driver Pad



This light duty red pad produces best results in a light cleaning and buffing situation. Primarily used as a spacer pad. Use wet or dry on VCT and tile.

Size	Number		
20-inch 5/case	SS P1420RED		
28-inch 5/case	SS P1428RED		

SHO Wet Strip Pad



The SHO Pad should be used only for the heaviest of chemical stripping jobs. Extremely abrasive and heavy with dense fibers. Best when dirt and buildup are severe. Use wet on VCT and tile.

Size	Number		
5.25x10.5 20/case	SS P0511SHO		
20-inch 5/case	SS P1420SHO		
28-inch 5/case	SS P1428SHO		

Microfiber Carpet Pad



Combined with our Carpet Encapsulation Cleaner, the Microfiber Carpet Pad deep cleans even the highest-traffic carpeting. Use wet on any carpeted surface. The EBG-20/C is now Carpet and Rug Institute Certified.

Size	Number		
20-inch each	SS P1420CB		
<i>Use in combination with Encapsulating Carpet Cleaner.</i>			
One Gallon	SS EBG-ECC		

***Specifications and information contained in this price list are subject to change without notice.

PADS FOR SQUARE SCRUB MACHINES

SQUARESCRUB.COM | 800-557-6822

Xtreme Sponge



Use the Xtreme Sponge to remove scuff marks on VCT or bathroom tile. A little water and this melamine pad deep cleans & restores shine between refinishing jobs. Use wet on VCT and tile.

Size	Number		
5.25x10.5 5/case	SS P0511XTR		
20-inch 5/case	SS P1420XTR		
28-inch 5/case	SS P1428XTR		

White Driver



The White Driver Pad is primarily a spacer pad. Just 1/4" thick, use this pad with sandpaper and diamonds. Always check spacer and driver pads frequently for wear and replace as needed. **DO NOT USE WITH ABRADER PLATE!**

Size	Number		
5.25x10.5 48/case	SS P0511DRIVER		
20-inch 10/case	SS P1420DRIVER		
28-inch 10/case	SS P1428DRIVER		

SSE (Enhancer Pad)



The SSE (Enhancer Pad) is designed exclusively for Square Scrub as a restorative pad. Use wet on VCT and Tile.

Size	Number		
20-inch 5/case	SS P1420SSE		
28-inch 5/case	SS P1428SSE		

SAP (Square Abrader Plate)



Carbide Tungsten steel abrader tool. Designed for heavy duty use, including removing linoleum, glue, or paint on concrete. Use wet on concrete.

Size	Number		
13x19 each	SS P1319SAP		

White Pad



The White Pad is used as a light duty polish pad. The 1" thick pad is used without a driver pad, and is great for spreading chemicals while buffing.

Size	Number		
5.25x10.5 16/case	SS P0511WHT		
20-inch 5/case	SS P1420WHT		
28-inch 5/case	SS P1428WHT		

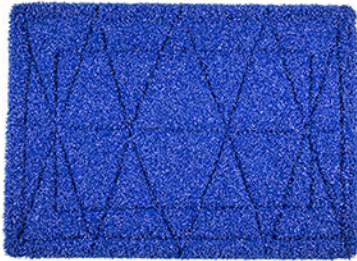
***Specifications and information contained in this price list are subject to change without notice.

PADS FOR SQUARE SCRUB MACHINES

SQUARESCRUB.COM | 800-557-6822

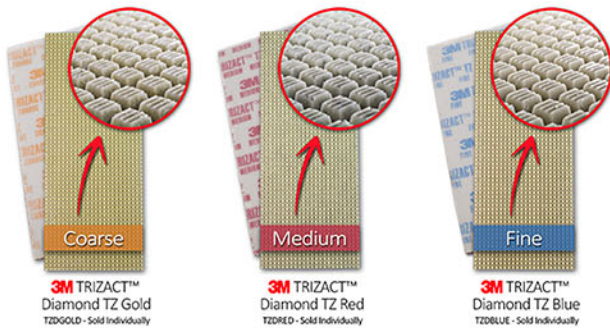
Tile & Grout Pads

Our Tile & Grout Pad is best on grouted tile floors, but can be used very effectively on terrazo, poured non-slip, concrete and other uneven floors. Use wet on several surfaces.



Size	Number		
4.75x10 in. each	SS P0511TGBV		
20 in. each	SS P1420TGB		
28 in. each	SS P1428TGB		
20 in. Round each	SS P0020RGTG		

3M™ TRIZACT™ Diamond TZ Abrasive Strips



	Size	Number		
Gold	3.75x9 in. each	SS TZDGOLD		
Red	3.75x9 in. each	SS TZDRED		
Blue	3.75x9 in. each	SS TZDBLUE		

3M™ Scotchgard™ Stone Floor Protector



- Super thin coat dries fast
- Easy to apply
- Amazing durability
- Each case includes 2 - 1 gal. bags
- Sold by the case

Size	Number		
1 gal. bag 2/ case	SS SGSFP		

3M™ Scotch-Brite™ Purple Diamond Floor Pad Plus



Size	Number		
5.25x10.5 each	SS P0511PD		
20-inch each	SS P1420PD		
28-inch each	SS P1428PD		
19" round each	SS P0019PD		
24" round each	SS P0024PD		
27" round each	SS P0027PD		

Screens (10/case)



Sandscreens are ideal for finish removal or repair of wood floor surfaces, such as gym floors. Can be used to repair painted floor surfaces. Both sides of screen can be used. Use with Red Driver Pad P1420RED or P1428RED.

Use wet or dry on wood or painted concrete.

Grit	Size	Number		
60	20-inch	SS S1420060		
80	20-inch	SS S1420080		
100	20-inch	SS S1420100		
120	20-inch	SS S1420120		
150	20-inch	SS S1420150		
60	28-inch	SS S1428060		
80	28-inch	SS S1428080		
100	28-inch	SS S1428100		
120	28-inch	SS S1428120		
150	28-inch	SS S1428150		
180	28-inch	SS S1428180		

Sandpaper (20/case)



Our sandpaper comes in a variety of grits to tackle any wood floor needs. Use these for smoothing wood surfaces without chemicals. Use the White Driver Pad P1420DRIVER or P1428DRIVER

Use dry on wood flooring or decks.

Grit	Size	Number		
20	20-inch	SS SP1319020		
36	20-inch	SS SP1319036		
60	20-inch	SS SP1319060		
80	20-inch	SS SP1319080		
100	20-inch	SS SP1319100		
20	28-inch	SS SP1327020		
36	28-inch	SS SP1327036		
60	28-inch	SS SP1327060		
80	28-inch	SS SP1327080		
100	28-inch	SS SP1327100		

Pro Sandpaper (10/case)



Pro Sandpaper is double-sided and longer lasting than standard sandpaper, cutting paper usage drastically! Available grits range from the ultra aggressive 16 grit to the popular 100 grit. Use the White Driver Pad P1420DRIVER or P1428DRIVER

Use dry on wood flooring or decks.

Grit	Size	Number		
16	20-inch	SS PPSP1319016		
24	20-inch	SS PPSP1319024		
36	20-inch	SS PPSP1319036		
60	20-inch	SS PPSP1319060		
80	20-inch	SS PPSP1319080		
100	20-inch	SS PPSP1319100		
16	28-inch	SS PPSP1327016		
24	28-inch	SS PPSP1327024		
36	28-inch	SS PPSP1327036		
60	28-inch	SS PPSP1327060		
80	28-inch	SS PPSP1327080		
100	28-inch	SS PPSP1327100		

BUCKET ON A STICK

SQUARESCRUB.COM | 800-557-6822

Bucket on a Stick

18" - SS BOS18

24" - SS BOS24

Our innovative Bucket on a Stick design holds 5 quarts of finish and provides the best balance and control of any all-in-one applicators. The microfiber mop head applies the finish quickly and smoothly. Easy to clean and maintain. Available in 18" & 24" mop heads.



Mop Heads

18" - SS 0403Z

24" - SS 0406Z



18" T-Bar & Refill Pad

T-Bar - SS 0407Z

Refill Pad - SS 0408Z



SOLUTION TANK & HEPA DRY VAC KIT

SQUARESCRUB.COM | 800-557-6822

Solution Tank

20" - SS EBG-WTS20

28" - SS EBG-WTS28



Stone care and other applications where water is needed just became easier with the Square Scrub Solution Tank. Easy to install, the front mounted dispersion bar slides under the weights for a secure fit. At 1.25 gallons, the handle mounted tank does not affect the machine balance. Made of quality stainless steel parts. The Solution Tank easily switches over to the HEPA Dry Vac System without using tools. Available for 20" & 28" machines. Not compatible with machine serial numbers beginning with 32U or older. *Machine sold separately



HEPA Dry Vac Kit

SS EBG-HDVK



The HEPA Dry Vac Kit is the answer to your airborne particle problems! It has a 6 quart capacity and pulls under 4.5 amps. This allows the user to tap into the power source at the Square Scrub motor, eliminating the need for extension cords.

The HEPA Dry Vac Kit mounts directly to the machine with a universal mounting bracket. In conjunction with the Dust Containment Kit, the Dry Vac Kit significantly reduces airborne particles. This is NOT designed to remove the debris from the floor. One size fits all EBG-18, EBG-20/C, & EBG-28 machines.

*Machine sold separately

Cloth Bag SS EBG-HDVK-CB



Six quart cloth replacement bags for use with the HEPA Dry Vac Kit.

Complete Motor Saver with HEPA Filter SS EBG-HDVK-CMS



Replacement HEPA filter for use with the HEPA Dry Vac Kit.

Ultimate HEPA Micro Lined Bag SS EBG-HDVK-UHB



Replacement bags for use with the HEPA Dry Vac Kit.

Backpack Tool Kit SS EBG-HDVK-TK



Backpack conversion toolkit for use with the HEPA Dry Vac Kit.

Grip Face - Doodle Scrub

SS 051103V



The heavy-duty velcro grip face is a vital part of your Square Scrub machine. Replace when the teeth on the Grip Face are worn.

Grip Face - Doodle Mop

SS 051603V



The heavy-duty velcro grip face is a vital part of your Square Scrub machine. Replace when the teeth on the Grip Face are worn.

Doodle Scrub Carry Strap

SS 051190



Stainless steel sideplates make it easier than ever to transport the Doodle Scrub.

Doodle Scrub Handle Trigger

SS 051180

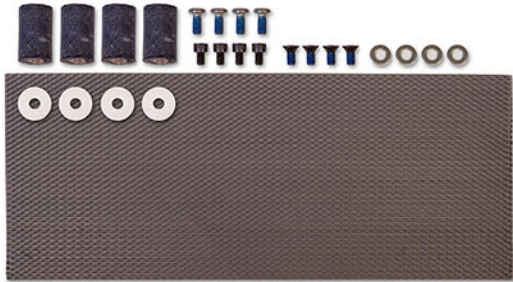


The handle Trigger makes it easier than ever to operate the Doodle Scrub. It can also help to reduce user fatigue.

Isolator Replacement Kit - Price Each

Doodle Scrub - SS 051101

Doodle Mop - SS 051601



The Isolator Replacement Kit includes: 4 isolators, 4 washers, 4 isolator top screws, 4 isolator bottom screws, 4 cover screws, 4 cover washers, & grip face. Not shown: thread lock

Doodle Scrub & Doodle Mop Motor Replacement Kit SS 051106

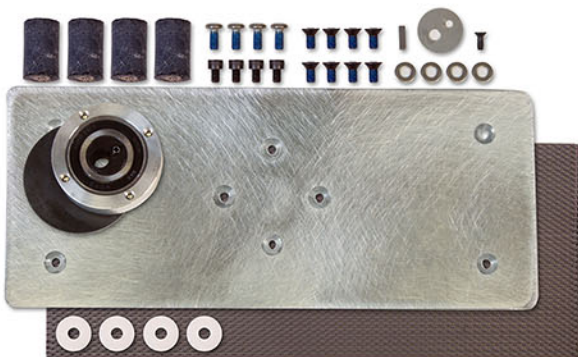


The Motor Replacement Kit includes: Motor, 1 shaft bolt, & 4 motor bolts.

Base Plate Assembly Kit - Price Each

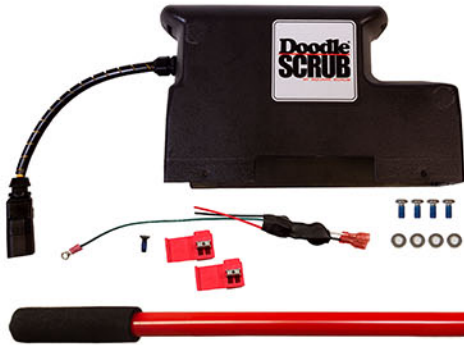
Doodle Scrub - SS 051115

Doodle Mop - SS 051615



The Base Plate Assembly Kit includes: 4 isolators, 4 washers, 4 isolator top screws, 4 isolator bottom screws, 4 motor bolts, 4 cover screws, 4 cover washers, aluminum driver plate, eccentric assembly, motor shaft bolt, eccentric assembly key, crush washer, & grip face. Not shown: thread lock, anti-seize, & 100% silicone.

Doodle Scrub Handle Conversion Kit SS 051157



The Doodle Scrub Handle Conversion Kit relocates the wiring harness from the Doodle Scrub handle into the Doodle Scrub Base for easier maintenance. Machine serial number must be provided when ordering. This kit includes: New Doodle Scrub cover, 4 cover screws, 4 cover washers, 1 motor ground screw, 2 wire connectors, wiring harness, & Doodle Scrub handle. Not shown: 100% silicone.

Doodle Scrub 24" Handle Conversion Kit SS 051157-H24



The Doodle Scrub Handle Conversion Kit relocates the wiring harness from the Doodle Scrub handle into the Doodle Scrub Base for easier maintenance. Machine serial number must be provided when ordering. This kit includes: New Doodle Scrub cover, 4 cover screws, 4 cover washers, 1 motor ground screw, 2 wire connectors, wiring harness, & 24" Doodle Scrub handle. Not shown: 100% silicone.

Cover Replacement Kit - Price Each

Doodle Scrub - SS 051166

Doodle Mop - SS 051666



The Cover Replacement Kit includes: cover, motor ground screw, 2 wire connectors, 4 cover screws, & 4 cover washers.

Doodle Scrub & Doodle Mop - Wiring Harness Replacement Kit SS 051170



The Wiring Harness Replacement Kit includes: wiring harness, 2 wire connectors, motor ground screw, & 4 cover screws.

Aluminum Driver Plate - Price Each

Doodle Scrub - SS 051164

Doodle Mop - SS 051664



Replacement aluminum driver plate for the Doodle Scrub EBG-9, & the Doodle Mop EBG-16

Doodle Scrub & Doodle Mop Handle Switch SS 051104



The switch is the ignition for the Doodle Scrub. Located in the handle, this internal piece is easily and quickly replaced.

Doodle Skate Motor Ext. Cord SS 100050



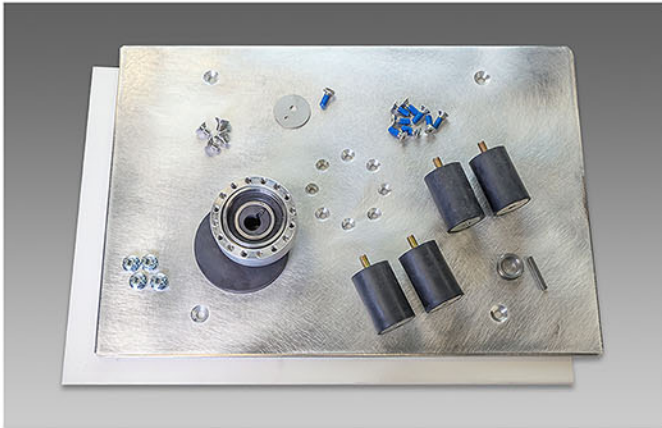
The Doodle Skate Motor Extension Cord is for extending the cord length between the Doodle Scrub handle and motor for increased mobility.

PIVOT BASE PLATE ASSEMBLY KITS

SQUARESCRUB.COM | 800-557-6822

EBG-18 PIVOT Base Plate Assembly

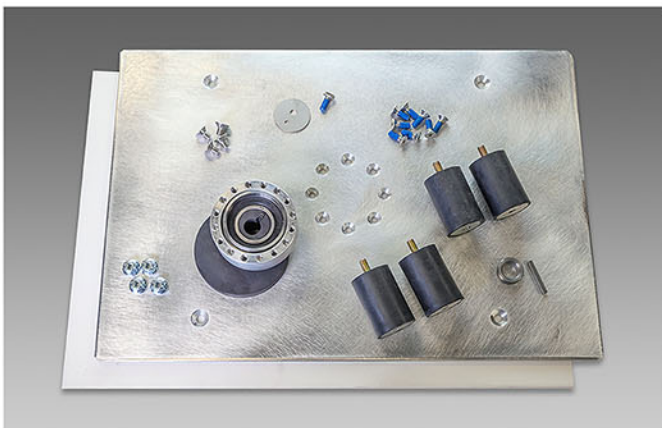
SS 121815 PVT



This kit contains everything needed to replace the eccentric assembly for the EBG-18 PIVOT. When replacing, Square Scrub recommends installing new isolators as well. Included are: aluminum driver plate, 4 isolators, isolator bolts, motor shaft spacer, motor shaft cap bolt, bearing bolts, eccentric assembly, crush washer, eccentric assembly key, grip face, anti-seize, & 100% silicone. Only compatible with machine serial numbers beginning with 18P.

EBG-20/C PIVOT Base Plate Assembly

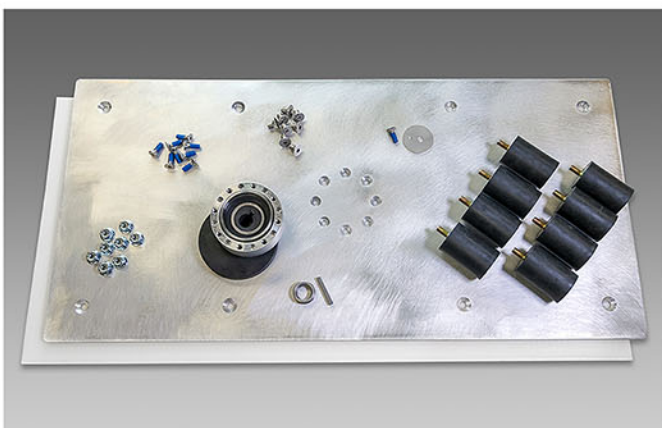
SS 142015 PVT



This kit contains everything needed to replace the eccentric assembly for the EBG-20/C PIVOT. When replacing, Square Scrub recommends installing new isolators as well. Included are: aluminum driver plate, 4 isolators, isolator bolts, motor shaft spacer, motor shaft cap bolt, bearing bolts, eccentric assembly, crush washer, eccentric assembly key, grip face, anti-seize, & 100% silicone. Only compatible with machine serial numbers beginning with 20P.

EBG-28 PIVOT Base Plate Assembly

SS 142815 PVT



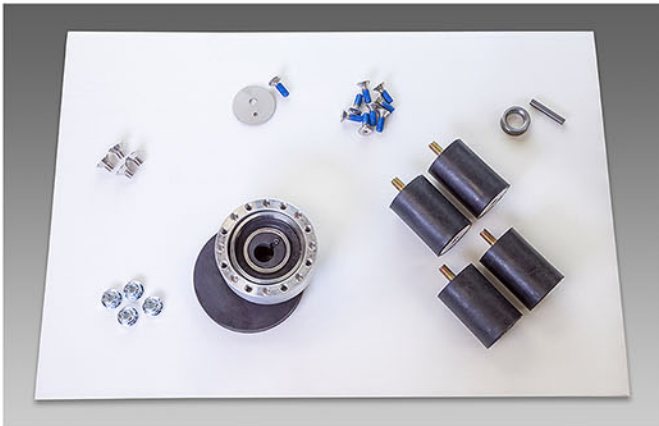
This kit contains everything needed to replace the eccentric assembly for the EBG-28 PIVOT. When replacing, Square Scrub recommends installing new isolators as well. Included are: aluminum driver plate, 8 isolators, isolator bolts, motor shaft spacer, motor shaft cap bolt, bearing bolts, eccentric assembly, crush washer, eccentric assembly key, grip face, anti-seize, & 100% silicone. Only compatible with machine serial numbers beginning with 28P.

PIVOT ECCENTRIC REPLACEMENT KITS

SQUARESCRUB.COM | 800-557-6822

EBG-18 PIVOT Eccentric Replacement Kit

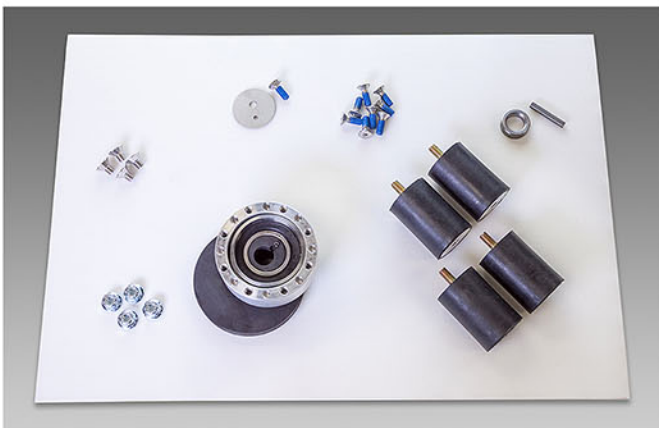
SS 121802 PVT



This kit contains everything needed to replace the eccentric assembly for the EBG-18 PIVOT. When replacing, Square Scrub recommends installing new isolators as well. Included are: 4 isolators, isolator bolts, motor shaft spacer, motor shaft cap bolt, bearing bolts, eccentric assembly, crush washer, eccentric assembly key, grip face, anti-seize, & 100% silicone. Only compatible with machine serial numbers beginning with 18P.

EBG-20/C PIVOT Eccentric Replacement Kit

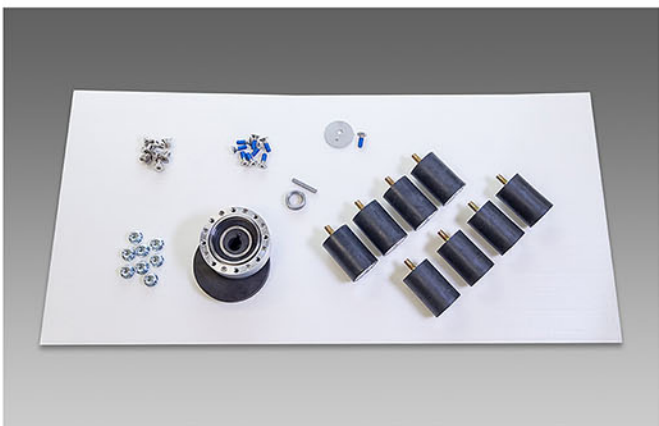
SS 142002 PVT



This kit contains everything needed to replace the eccentric assembly for the EBG-20/C PIVOT. When replacing, Square Scrub recommends installing new isolators as well. Included are: 4 isolators, isolator bolts, motor shaft spacer, motor shaft cap bolt, bearing bolts, eccentric assembly, crush washer, eccentric assembly key, grip face, anti-seize, & 100% silicone. Only compatible with machine serial numbers beginning with 20P.

EBG-28 PIVOT Eccentric Replacement Kit

SS 142802 PVT



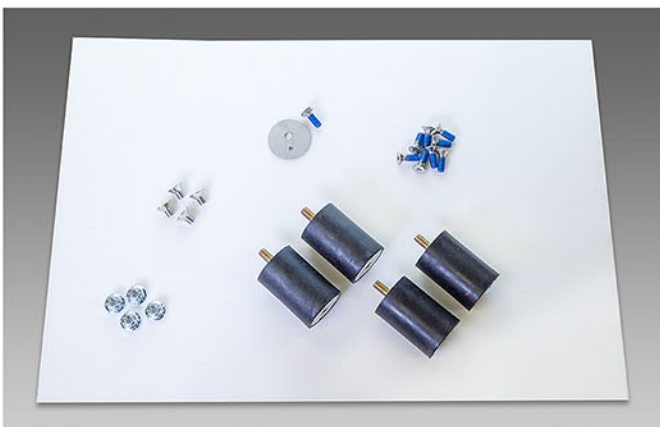
This kit contains everything needed to replace the eccentric assembly for the EBG-28 PIVOT. When replacing, Square Scrub recommends installing new isolators as well. Included are: 8 isolators, motor shaft spacer, motor shaft cap bolt, bearing bolts, eccentric assembly, crush washer, eccentric assembly key, grip face, anti-seize, & 100% silicone. Only compatible with machine serial numbers beginning with 28P.

PIVOT ISOLATOR REPAIR KITS

SQUARESCRUB.COM | 800-557-6822

EBG-18 PIVOT Isolator Replacement Kit

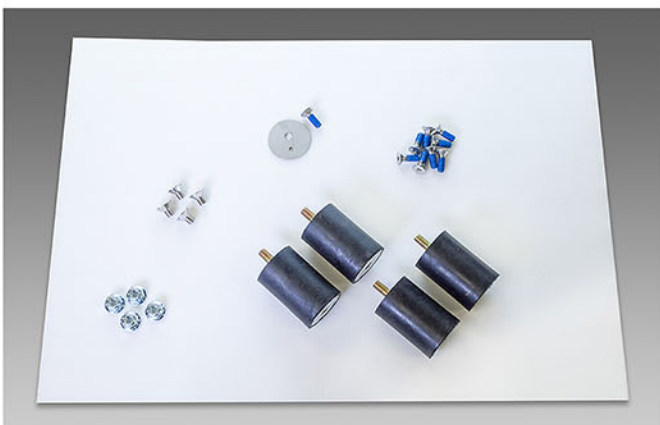
SS 121801 PVT



The Isolator Repair Kit has been created to make this standard maintenance process easier. Kit include: grip face, 4 isolators, isolator nuts & bolts, motor shaft spacer, motor bolt, bearing bolts, motor washer, 100% silicone and thread lock. Only compatible with machine serial numbers beginning with 18P.

EBG-20/C PIVOT Isolator Replacement Kit

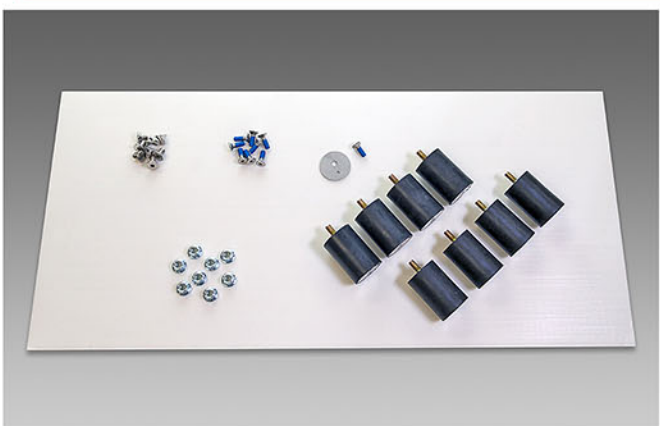
SS 142001 PVT



The Isolator Repair Kit has been created to make this standard maintenance process easier. Kit include: grip face, 4 isolators, isolator nuts & bolts, motor shaft spacer, motor bolt, bearing bolts, motor washer, 100% silicone and thread lock. Only compatible with machine serial numbers beginning with 20P.

EBG-28 PIVOT Isolator Replacement Kit

SS 142801 PVT



The Isolator Repair Kit has been created to make this standard maintenance process easier. Items include: grip face, 8 isolators, isolator nuts & bolts, motor shaft spacer, motor bolt, bearing bolts, motor washer, 100% silicone and thread lock. Only compatible with machine serial numbers beginning with 28P.

EBG-18 PIVOT Weight Bolt Kit

SS 121819 PVT



The Weight Bolt Kit has everything needed to repair the weight bolt system.

Items include: grip face, 4 weight bolts, 4 isolators, isolator nuts & bolts, motor shaft spacer, motor bolt, bearing bolts, motor washer, 100% silicone, and thread lock. Only compatible with machine serial numbers beginning with 18P.

EBG-20/C PIVOT Weight Bolt Kit

SS 142019 PVT

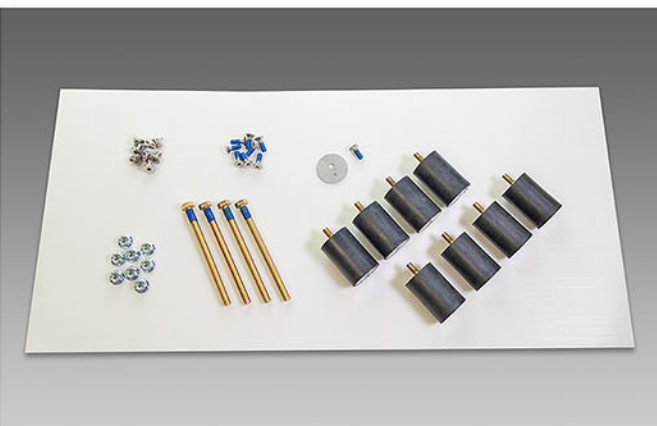


The Weight Bolt Kit has everything needed to repair the weight bolt system.

Items include: grip face, 4 weight bolts, 4 isolators, isolator nuts & bolts, motor shaft spacer, motor bolt, bearing bolts, motor washer, 100% silicone, and thread lock. Only compatible with machine serial numbers beginning with 20P.

EBG-28 PIVOT Weight Bolt Kit

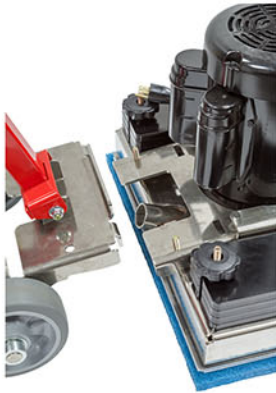
SS 142819 PVT



The Weight Bolt Kit has been created to make this standard maintenance process easier.

Items include: grip face, 4 weight bolts, 8 isolators, isolator nuts & bolts, motor shaft spacer, motor bolt, bearing bolts, 100% silicone and thread lock. Only compatible with machine serial numbers beginning with 28P.

Two-Piece Handle



Enjoy even easier portability with our optional two-piece handle. This easy to remove handle is made of the same durable steel as our fixed handle and enhances portability in smaller vehicles.

PLEASE NOTE: The two-piece handle must be factory installed. The price of the handle on this page reflects the cost of the handle and installation at Square Scrub. The two-piece handle is NOT an option that can be installed after receiving the machine.

PIVOT Starter (bottom) Weight - Price Each



Increasing weight helps the machine penetrate thick finishes. This 6lb plate is a great way to effectively and safely add additional weight to your machine. This weight should only be used at the bottom of the weight stack on EBG-20/C PIVOT Machines. Do not use with any 28" machines.

PIVOT Welded Weights (Left) - Price Each

EBG-18 - SS 121809WSL

EBG-20/C - SS 142009WSL

PIVOT Welded Weights (Right) - Price Each

EBG-18 - SS 121809WSR

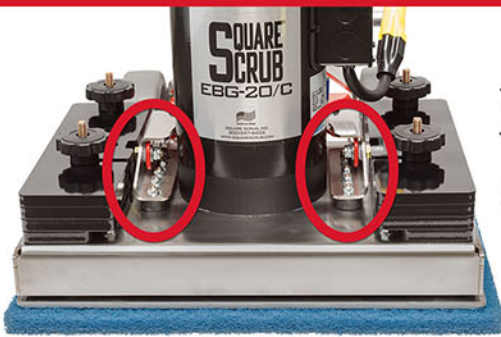
EBG-20/C - SS 142009WSR



The welded weight stack makes it easier to remove the machine weights for transportation or lighter duty jobs.

1/2" Isolator Kit

SS 01075 PVT



The 1/2" isolators connect the machine handle to the base, and help to reduce nearly all felt vibration. The 1/2" Isolator Kit includes: 10 1/2" handle Isolators & 10 isolator nuts.



Rubber Bumper Kit

SS 01060 PVT



The Rubber Bumper Kit adds rubber bumpers to the back of the handle to prevent damage to the handle when replacing pads. The Rubber Bumper Kit is compatible with all Square Scrub Pivot machines. The kit includes: 2 rubber bumpers & 2 cover screws.

3/8" Tension Handle Assembly

SS 01022Z



Compatible with all 18", 20", & 28" Square Scrub Pivot machines. The 3/8" Tension Handle Assembly is also compatible with older style Square Scrub machines with serial numbers 32U11326 or greater.

3/8" Handle Adjustment Bar - 18", 20", & 28" Pivot Machines

Left - SS 01021 PVTL

Right - SS 01021 PVTR



Compatible with all 18", 20", & 28" Square Scrub Pivot machines.

Grip Face - 18", 20", & 28" Square Scrub Machines

18" - SS 121803V

20" - SS 142003V

28" - SS 142803V



The heavy-duty velcro grip face is a vital part of your Square Scrub machine. Replace when the teeth on the Grip Face are worn.

3450 RPM Motor

SS 142006



The 3450 rpm motor for 18" 20" & 28" Square Scrub machines is a very quiet 73dB and extremely powerful and smooth. This motor comes standard on all Square Scrub machines, is American made, and comes with a two-year manufacturer's warranty.

Micro Switch

SS 142004



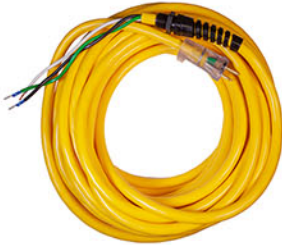
The Micro Switch is the ignition for the Square Scrub machine. This is an internal piece, and is easily and quickly replaced. This switch works for all 18", 20", and 28" machines.

Hour Meter Kit SS 142008



The hour meter is a great way to track total man-hours spent using Square Scrub machines. Simple to install, the hour meter can allow for better budgeting of labor spent resurfacing floors. The hour meter works with any 18", 20", or 28" Square Scrub machine.

50' Power Cord SS 01014Z



The 50 foot replacement power cable is compatible with all 18", 20", & 28" Square Scrub machines.

Dust Skirt - 18", 20", & 28" Square Scrub Machines

18" - SS 121805

20" - SS 142005

28" - SS 142805



Our Dust Skirt kit adds a measure of particle control, and installs in minutes. Made of durable material, the Dust Skirt is a cost-effective solution for any machine. Includes: adhesive strip and velcro.

Removable Weight Knob SS 142014 PVT



Keep your removable weights anchored with this weight knob. Easy on the hands, this durable knob will fit any Square Scrub machine with removable weights and works with the four and five inch threaded rods.

Trigger End Cap SS 142034



Replacement rubber end caps for Square Scrub EBG 18", 20", & 28" machine triggers.

Foam Hand Grip SS 0101Z



Replacement foam hand grips for Square Scrub EBG 18", 20", & 28" machine handles.

Handle Cover Screws SS 01011Z



The handle cover screws are compatible with all 18", 20", & 28" Square Scrub machines.

Replacement Wheel SS 01025ZA



Replacement wheel for all 18", 20", and 28" EBG-Series machines.

Axle Collar SS 01026Z



The axle collar replacement is compatible with all 18", 20", & 28" Square Scrub machines.

Universal Vacuum Bracket SS EBG-UVB



Use this bracket to mount most backpack vacuums to the Square Scrub machine (removable weight models only). Easy to attach and sturdy 12 gauge powder coated steel design.

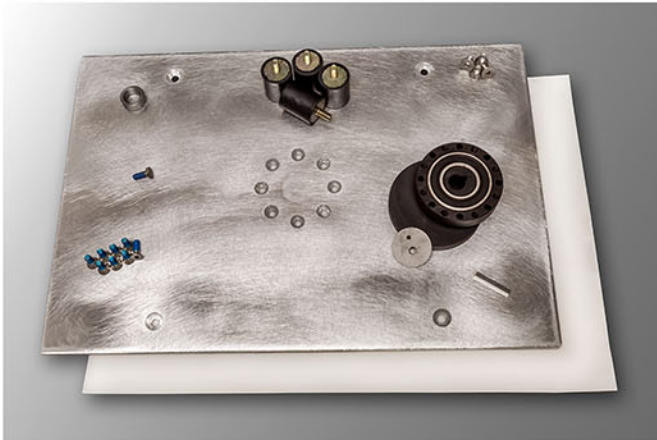
BASE PLATE ASSEMBLY KITS

SQUARESCRUB.COM | 800-557-6822

EBG-20/C Base Plate Assembly with Seal

SS 142015SEAL

Replacement part for 20" machines with serial numbers beginning with 32U.



This kit contains everything needed to replace the eccentric assembly for the EBG-20/C. When replacing, Square Scrub recommends installing new isolators as well. Included are: aluminum driver plate, 4 isolators, isolator bolts, motor shaft spacer, motor shaft cap bolt, bearing bolts, eccentric assembly, crush washer, eccentric assembly key, grip face, anti-seize, & 100% silicone.

EBG-28 Base Plate Assembly with Seal

SS 142815SEAL

Replacement part for 28" machines with serial numbers beginning with 32U.



This kit contains everything needed to replace the eccentric assembly for the EBG-28. When replacing, Square Scrub recommends installing new isolators as well. Included are: aluminum driver plate, 8 isolators, isolator bolts, motor shaft spacer, motor shaft cap bolt, bearing bolts, eccentric assembly, crush washer, eccentric assembly key, grip face, anti-seize, & 100% silicone.

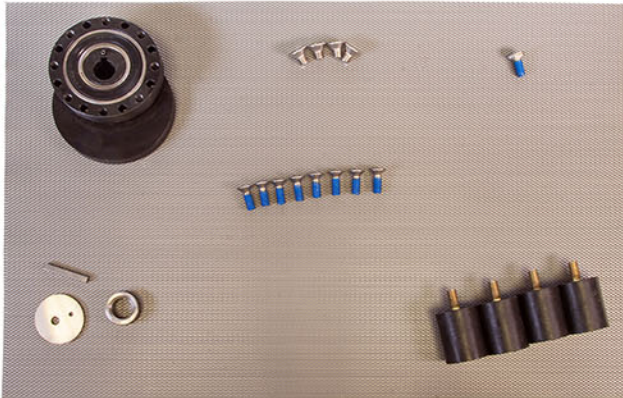
ECCENTRIC REPLACEMENT KITS

SQUARESCRUB.COM | 800-557-6822

EBG-20/C Eccentric Replacement Kit

SS 142002SEAL

Replacement part for 20" machines with serial numbers beginning with 32U.

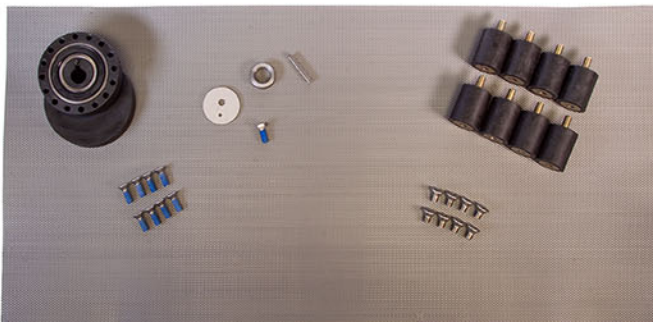


This kit contains everything needed to replace the eccentric assembly for the EBG-20/C. When replacing, Square Scrub recommends installing new isolators as well. Included are: 4 isolators, isolator bolts, motor shaft spacer, motor shaft cap bolt, bearing bolts, eccentric assembly, crush washer, eccentric assembly key, grip face. Not shown: anti-seize, & 100% silicone.

EBG-28 Eccentric Replacement Kit

SS 142802SEAL

Replacement part for 28" machines with serial numbers beginning with 32U.



This kit contains everything needed to replace the eccentric assembly for the EBG-28. When replacing, Square Scrub recommends installing new isolators as well. Included are: 8 isolators, isolator bolts, motor shaft spacer, motor shaft cap bolt, bearing bolts, eccentric assembly, crush washer, eccentric assembly key, grip face. Not shown: anti-seize, & 100% silicone.

EBG-20/C Isolator Replacement Kit

SS 142001

Replacement Part for 20" Machines with serial numbers beginning with 32U.



The Isolator Repair Kit has been created to make this standard maintenance process easier.

Items include: grip face, 4 isolators, required hardware needed for repair, and thread lock.

EBG-28 Isolator Replacement Kit

SS 142801

Replacement Part for 28" Machines with serial numbers beginning with 32U.



The Isolator Repair Kit has been created to make this standard maintenance process easier.

Items include: grip face, 8 isolators, required hardware needed for repair, and thread lock.

WEIGHT BOLT KITS

SQUARESCRUB.COM | 800-557-6822

EBG-20/C Weight Bolt Kit

SS 142019

Replacement Part for 20" Machines with serial numbers beginning with 32U.



The Weight Bolt Kit has everything needed to repair the weight bolt system.

Items include: grip face, 2 weight bolts, 4 isolators, required hardware needed for repair, and thread lock.

EBG-28 Weight Bolt Kit

SS 142819

Replacement Part for 28" Machines with serial numbers beginning with 32U.



The Weight Bolt Kit has been created to make this standard maintenance process easier.

Items include: grip face, 2 weight bolts, 8 isolators, required hardware needed for repair, and thread lock.

Aluminum Driver Plate - 20" & 28" Square Scrub Machines

20" - SS 01034Z

28" - SS 142864

The Aluminum Driver Plate is compatible with Square Scrub Machines with serial numbers beginning with 32U. Not for use with Pivot machines.



21 lb Plate Weights - Slotted SS 142009S



Increasing weight helps the machine penetrate thick finishes. This 21lb plate is a great way to effectively and safely add additional weight to your machine. These weights can be fitted to machines that currently have Slotted Weights. This weight cannot be used on any PIVOT, or 28" machine.

5/8" Tension Handle Assembly SS 142018



Compatible with 5/8" handle adjustment bars. The 5/8" Tension Handle Assembly is compatible with older style Square Scrub machines with serial numbers 32U11325 or lower.

The 3/8" Tension Handle Assembly (SS 01022Z) can be found on page 22.

5/8" Handle Adjustment Bar - 20" & 28" Square Scrub Machines

Left - SS 01021ZL 5/8

Right - SS 01021ZR 5/8



Compatible with the 5/8" Tension Handle Assembly. The 5/8" Handle Adjustment Bars are compatible with older style Square Scrub machines with serial numbers 32U11325 or lower.

3/8" Handle Adjustment Bar - 20" & 28" Square Scrub Machines

Left - SS 01021ZL 3/8

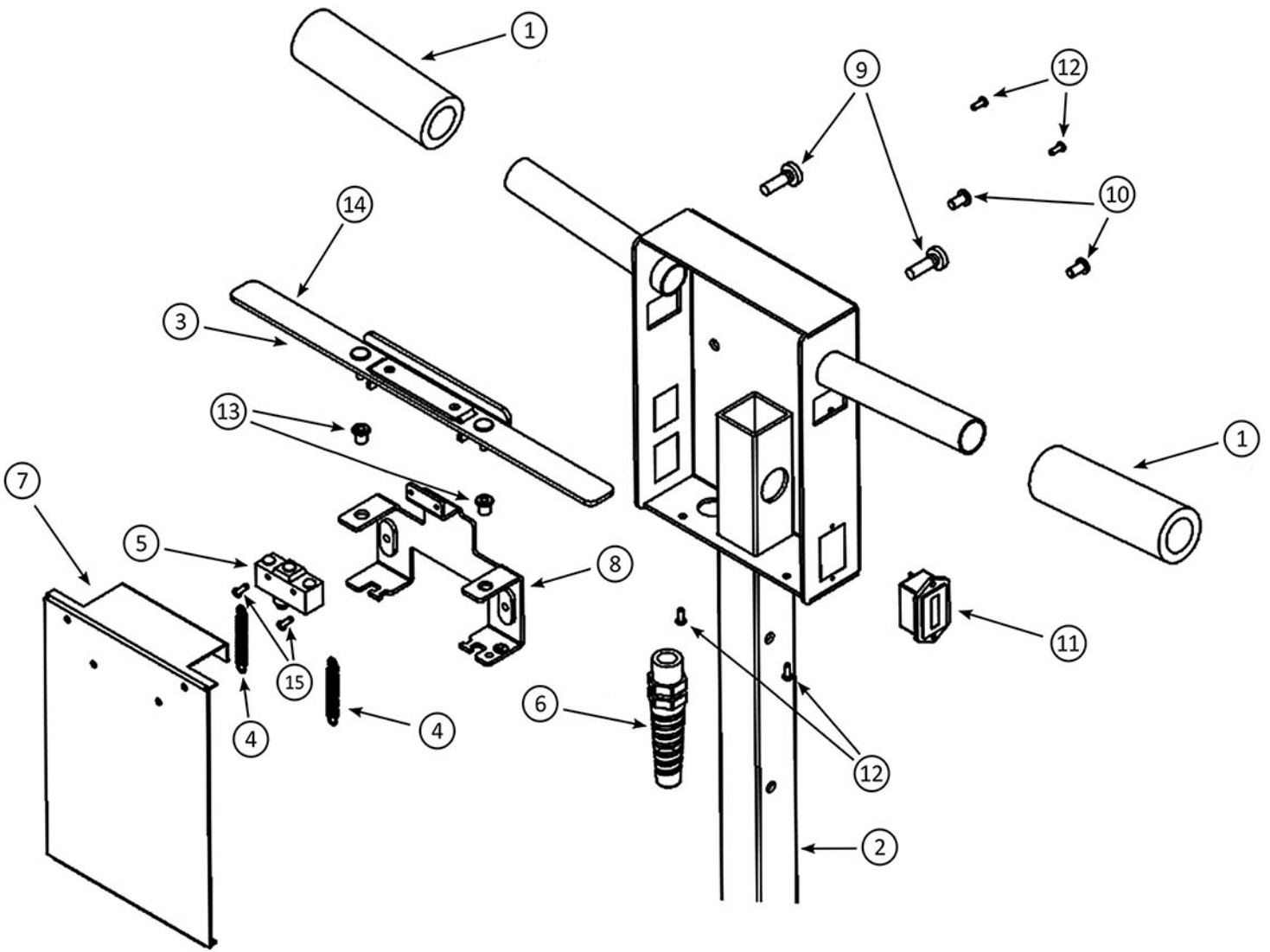
Right - SS 01021ZR 3/8



Compatible with the 3/8" Tension Handle Assembly. The 3/8" Handle Adjustment Bars are compatible with older style Square Scrub machines with serial numbers 32U11326 or greater.

The 3/8" Tension Handle Assembly (SS 01022Z) can be found on page 22.

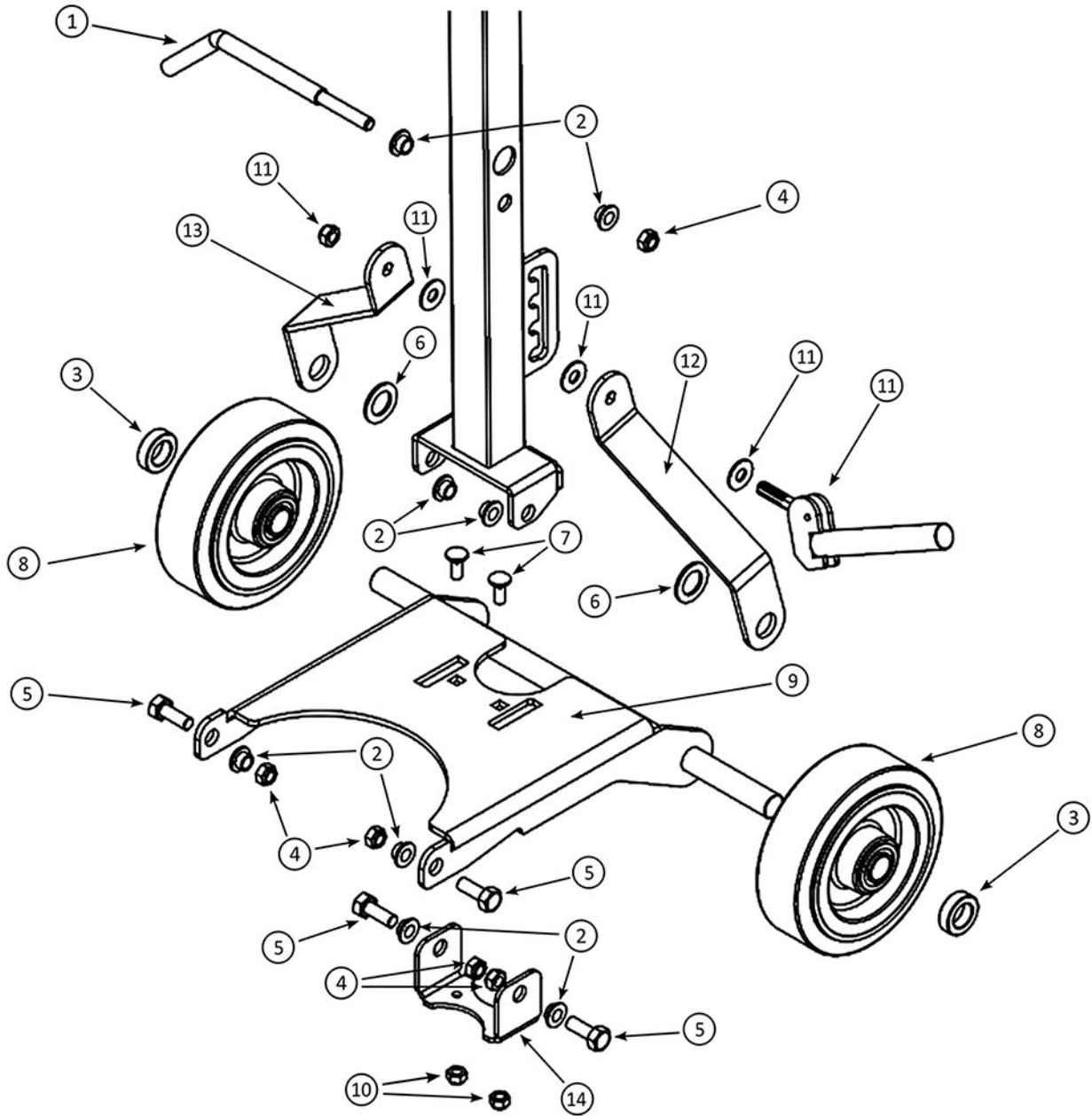
Pivot Upper Handle



Please provide machine serial number when ordering parts.

Item No.	Part No.	Part Description	Item No.	Part No.	Part Description
1	SS 0101Z	Foam Hand Grip	9	SS 01061PVT	Rubber Bumper x2
2	SS 01015PVT	Handle	10	SS 01062PVT	Switch Box Bracket Screws
3	SS 0103Z	Trigger	11	SS 142008	Hour Meter Kit
4	SS 0104Z	Switch Spring	12	SS 01011Z	Box Cover Screws
5	SS 142004	Micro Switch	13	SS 01063PVT	Trigger Guides
6	SS 0106Z	Cord Strain Relief	14	SS 142034	Trigger End Cap
7	SS 0107PVT	Box Cover	15	SS 101064Z	Micro Switch Screw
8	SS 0108PVT	Switch Box Bracket			

Pivot Lower Handle

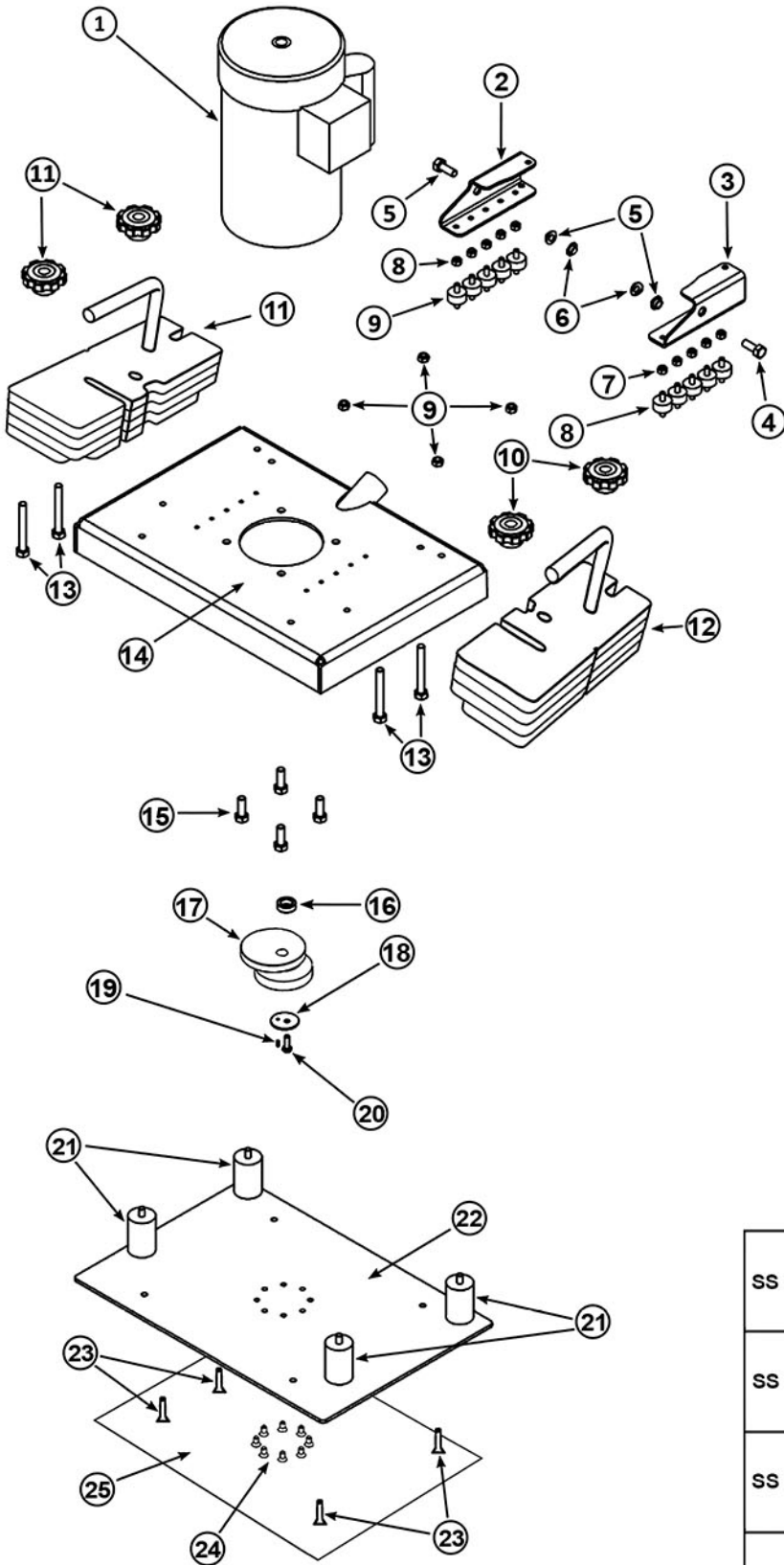


Please provide machine serial number when ordering parts.

Item No.	Part No.	Part Description	Item No.	Part No.	Part Description
1	SS 01065 PVT	Cord Wrap	11	SS 01022Z	Tension Handle Assembly
2	SS 01066 PVT	Plastic Flange Bushing	12	SS 01021 PVTL	Handle Adjustment Bar (left)
3	SS 01026Z	Axle Collar	13	SS 01021 PVTR	Handle Adjustment Bar (right)
4	SS 01071 PVT	3/8 Lock Nut	14	SS 01072 PVT	Handle Yoke
5	SS 010167 PVT	3/8 Pivot Point Bolts			
6	SS 01024Z	Axle Wave Washer			
7	SS 01068 PVT	Handle Yoke Bolt			
8	SS 01025ZA	Wheel			
9	SS 01069 PVT	1 pc Axle Attachment BRKT			
10	SS 01070 PVT	Handle Yoke Nut			

***Specifications and information contained in this price list are subject to change without notice.

EBG - 18 Pivot

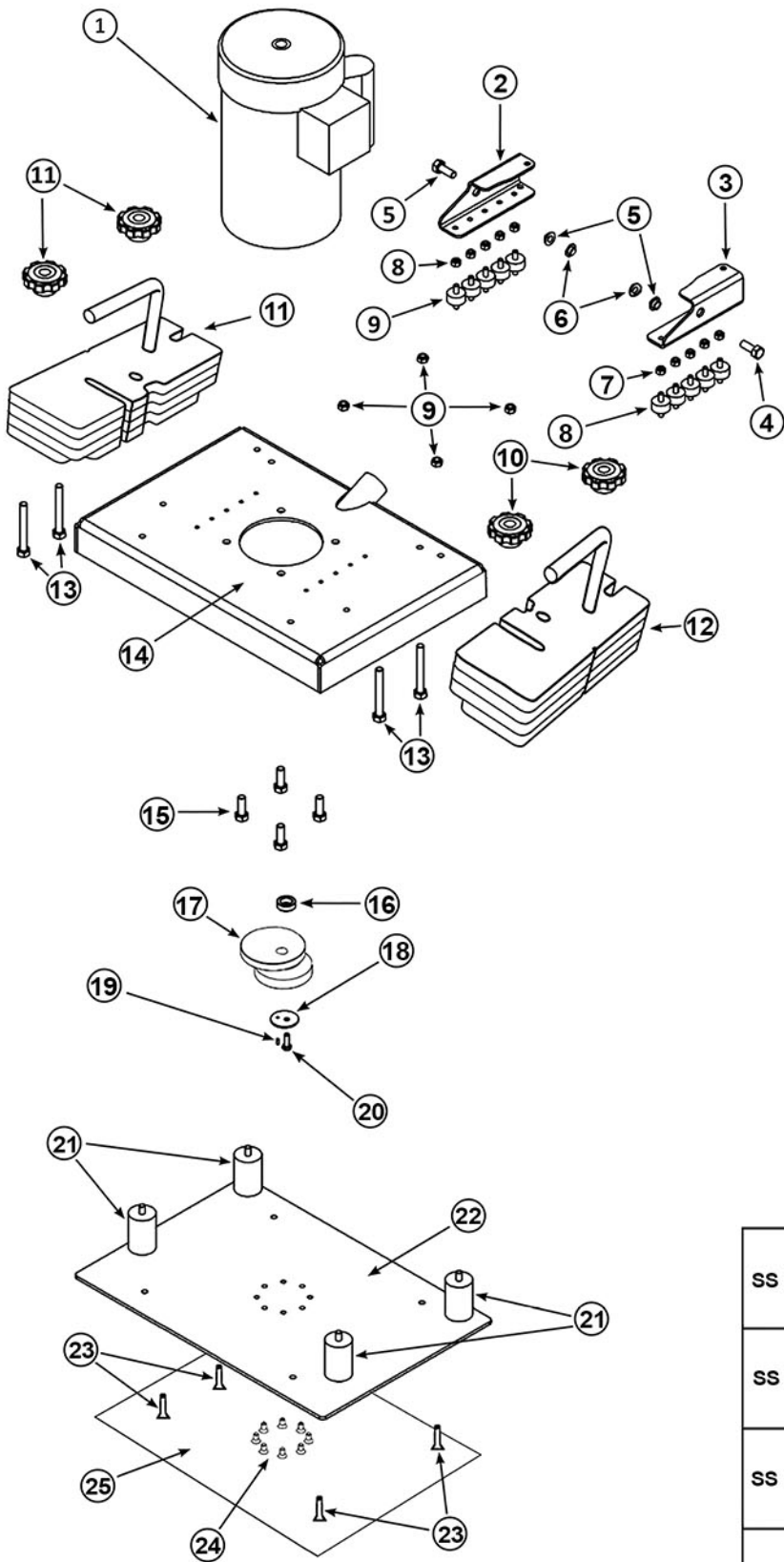


Item No.	Part No.	Part Description
1	SS 142006	Motor Assembly - 3450 RPM
2	SS 01073 PVTR	Right Pivot Bracket
3	SS 01073 PVTL	Left Pivot Bracket
4	SS 01067 PVT	3/8 Pivot Point Bolt
5	SS 01066 PVT	Plastic Flange Bushing
6	SS 01071 PVT	3/8 Lock Nut
7	SS 01074 PVT	1/4 Lock Nut
8	SS 01075 PVT	1/2 Tall Isolator
9	SS 01076 PVT	5/16 Lock Nut
10	SS 01077 PVT	Lock Down Knob
11	SS 121809WSR	Right Weight
12	SS 121809WSL	Left Weight
13	SS 01082 PVT	4" Weight Bolts
14	EBG-18-40-CP	18" Base
15	SS 01085 PVT	3/8 Motor Mount Bolts
16	SS 01086 PVT	Motor Shaft Spacer 20.341
17	SS 01088 PVT	Eccentric Assembly 20"
18	SS 01030Z	Motor Shaft Crush Washer
19	SS 142031	Key
20	SS 01031ZB	Motor Shaft Bolt
21	SS 01090 PVT	2 1/4" Isolator (4)
22	SS 121864	Aluminum Driver Plate 18"
23	SS 01036Z	Isolator Bolt
24	SS 01035Z	Eccentric Bearing Cup Bolt
25	SS 121803V	Grip Face 18"
NOT SHOWN	SS 01014Z	Power Cord Assembly
NOT SHOWN	SS 121805	Skirt/Velcro 18"

KITS

SS 121801 PVT	Isolator Replacement Kit (includes: 9, 18, 19, 20, 21, 23, 24, 25)
SS 121819 PVT	Pivot Weight Bolt Kit (includes: 9, 13, 18, 19, 20, 21, 23, 24, 25)
SS 121815 PVT	Pivot Base Plate Assembly (includes: 9, 16, 17, 18, 19, 20, 21, 22, 23, 24, 25)
SS 01075 PVT	1/2" Isolator Kit (includes: 7, 8)

EBG - 20/C Pivot

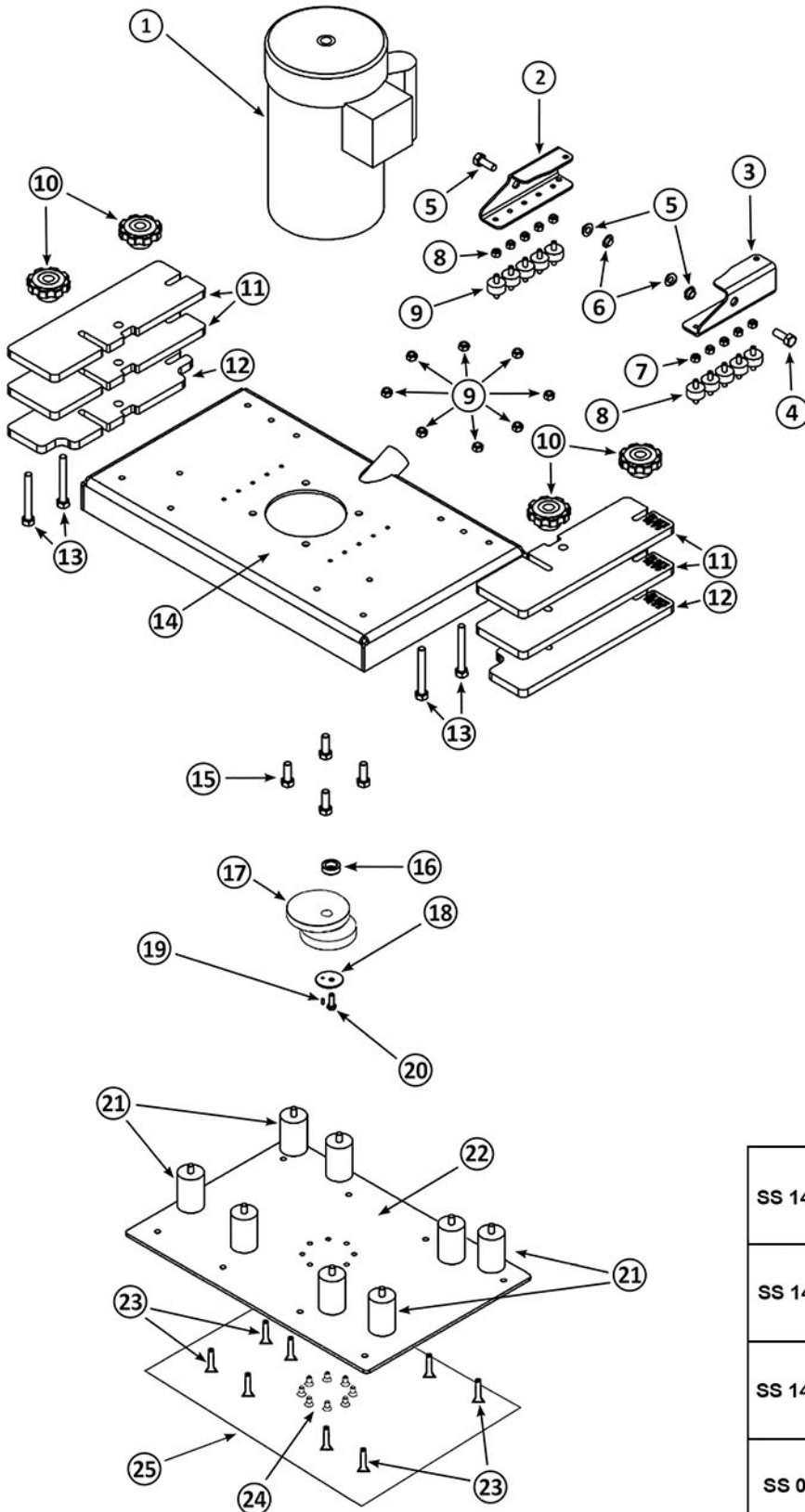


Item No.	Part No.	Part Description
1	SS 142006	Motor Assembly - 3450 RPM
2	SS 01073 PVTR	Right Pivot Bracket
3	SS 01073 PVTL	Left Pivot Bracket
4	SS 01067 PVT	3/8 Pivot Point Bolt
5	SS 01066 PVT	Plastic Flange Bushing
6	SS 01071 PVT	3/8 Lock Nut
7	SS 01074 PVT	1/4 Lock Nut
8	SS 01075 PVT	1/2 Tall Isolator
9	SS 01076 PVT	5/16 Lock Nut
10	SS 01077 PVT	Lock Down Knob
11	SS 122009WSR	Right Weight
12	SS 122009WSL	Left Weight
13	SS 01082 PVT	4" Weight Bolts
14	SS 01083 PVT	20" Base
15	SS 01085 PVT	3/8 Motor Mount Bolts
16	SS 01086 PVT	Motor Shaft Spacer 20.341
17	SS 01088 PVT	Eccentric Assembly 20"
18	SS 01030Z	Motor Shaft Crush Washer
19	SS 142031	Key
20	SS 01031ZB	Motor Shaft Bolt
21	SS 01090 PVT	2 1/4" Isolator (4)
22	SS 01034 PVT	Aluminum Driver Plate 20"
23	SS 01036Z	Isolator Bolt
24	SS 01035Z	Eccentric Bearing Cup Bolt
25	SS 142003V	Grip Face 20"
NOT SHOWN	SS 01014Z	Power Cord Assembly
NOT SHOWN	SS 142005	Skirt/Velcro 20"

KITS

SS 142001 PVT	Isolator Replacement Kit (includes: 9, 18, 19, 20, 21, 23, 24, 25)
SS 142019 PVT	Pivot Weight Bolt Kit (includes: 9, 13, 18, 19, 20, 21, 23, 24, 25)
SS 142016 PVT	Pivot Base Plate Assembly (includes: 9, 16, 17, 18, 19, 20, 21, 22, 23, 24, 25)
SS 01075 PVT	1/2" Isolator Kit (includes: 7, 8)

EBG - 28 Pivot

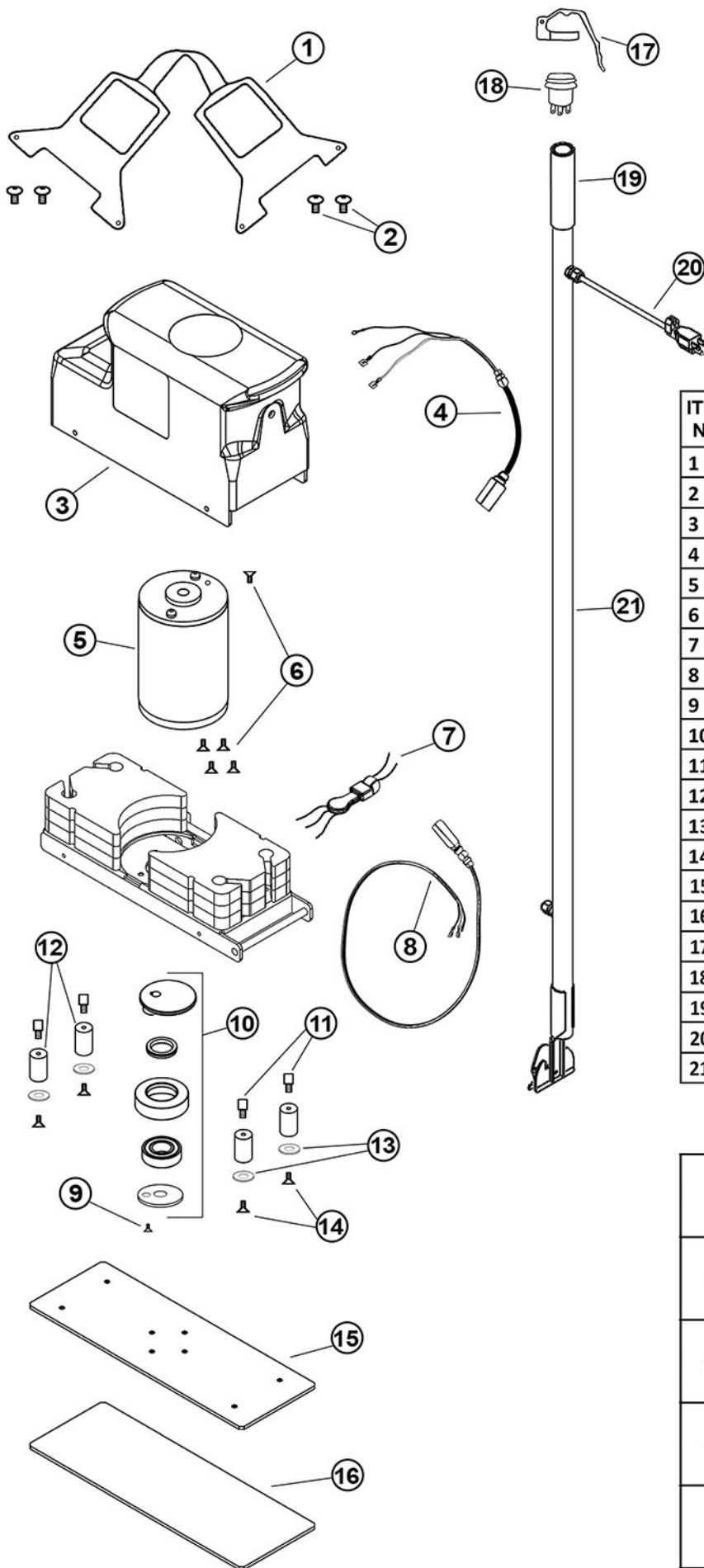


Item No.	Part No.	Part Description
1	SS 142006	Motor Assembly - 3450 RPM
2	SS 01073 PVTR	Right Pivot Bracket
3	SS 01073 PVTL	Left Pivot Bracket
4	SS 01067 PVT	3/8 Pivot Point Bolt
5	SS 01066 PVT	Plastic Flange Bushing
6	SS 01071 PVT	3/8 Lock Nut
7	SS 01074 PVT	1/4 Lock Nut
8	SS 01075 PVT	1/2 Tall Isolator
9	SS 01076 PVT	5/16 Lock Nut
10	SS 01077 PVT	Lock Down Knob
11	SS 01081 PVT	Top Weight 28"
12	SS 01080 PVT	Bottom Weight 28"
13	SS 01082 PVT	4" Weight Bolts
14	SS 01084 PVT	28" Base
15	SS 01085 PVT	3/8 Motor Mount Bolts
16	SS 01087 PVT	Motor Shaft Spacer 28.213
17	SS 01089 PVT	Eccentric Assembly 28"
18	SS 01030Z	Motor Shaft Crush Washer
19	SS 142031	Key
20	SS 01031ZB	Motor Shaft Bolt
21	SS 01090 PVT	2 1/4" Isolator (8)
22	SS 01091 PVT	Aluminum Driver Plate 28"
23	SS 01036Z	Isolator Bolt
24	SS 01035Z	Eccentric Bearing Cup Bolt
25	SS 142803V	Grip Face 28"
NOT SHOWN	SS 01014Z	Power Cord Assembly
NOT SHOWN	SS 142805	Skirt/Velcro 28"

KITS

SS 142801 PVT	Isolator Replacement Kit (includes: 9, 18, 19, 20, 21, 23, 24, 25)
SS 142819 PVT	Pivot Weight Bolt Kit (includes: 9, 13, 18, 19, 20, 21, 23, 24, 25)
SS 142816 PVT	Pivot Base Plate Assembly (includes: 9, 16, 17, 18, 19, 20, 21, 22, 23, 24, 25)
SS 01076PVT	1/2" Isolator Kit (includes: 7, 8)

Doodle Scrub EBG-9



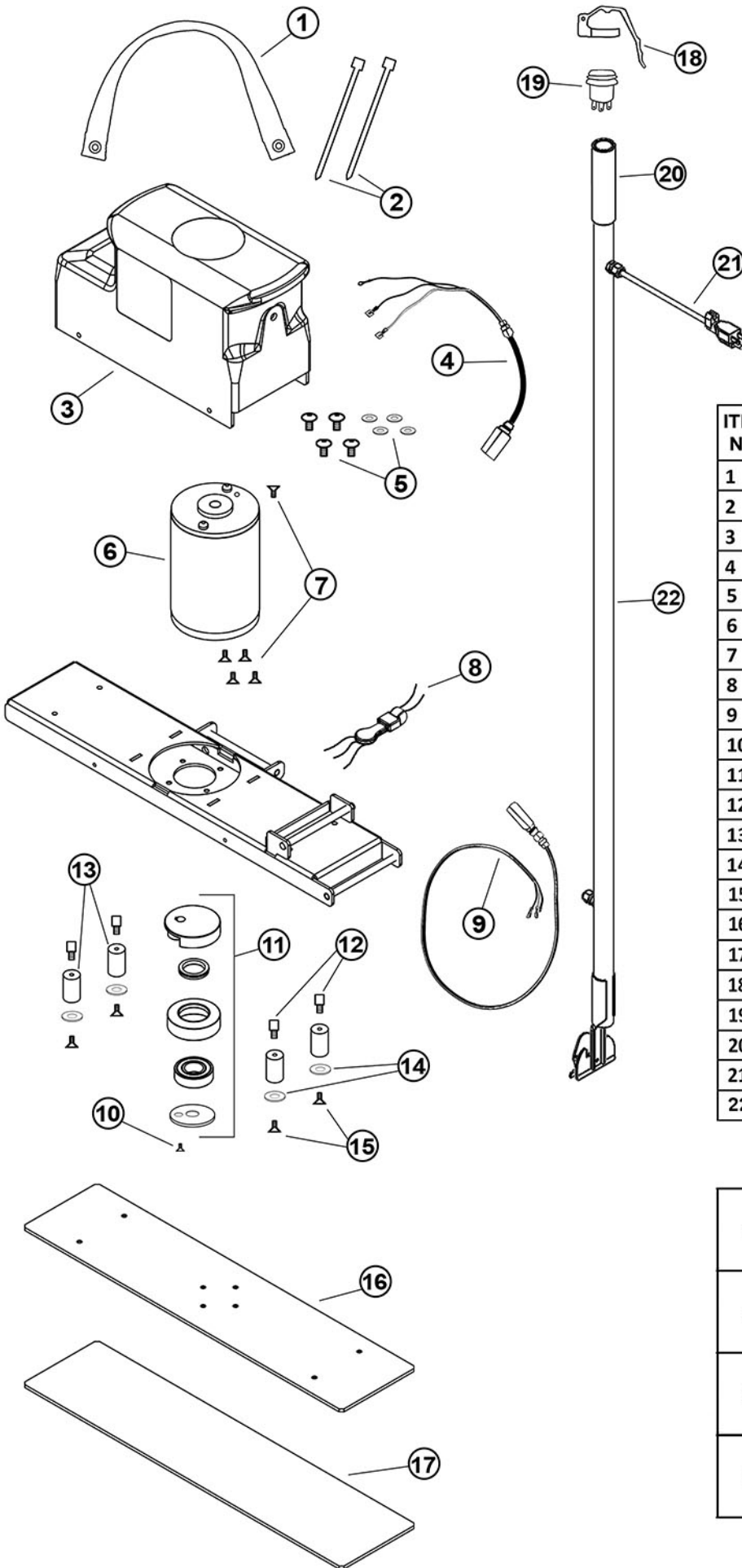
PARTS

ITEM NO.	PART NO.	PART DESCRIPTION
1	SS 051190	CARRY STRAP
2	INCLUDED IN KIT	COVER SCREW (4)
3	SS 051161	DOODLE COVER
4	INCLUDED IN KIT	MOTOR CORD
5	INCLUDED IN KIT	MOTOR
6	INCLUDED IN KIT	MOTOR BOLT (5)
7	SS 051170	PTC/VARISTOR HARNESS
8	INCLUDED IN KIT	HANDLE CORD
9	INCLUDED IN KIT	MOTOR SHAFT BOLT
10	INCLUDED IN KIT	ECCENTRIC ASSEMBLY
11	INCLUDED IN KIT	TOP ISOLATOR BOLT
12	INCLUDED IN KIT	ISOLATOR (4)
13	INCLUDED IN KIT	ISOLATOR SPACER (4)
14	INCLUDED IN KIT	BOTTOM ISOLATOR BOLT (4)
15	SS 051134	BASE PLATE
16	SS 051103V	GRIP FACE
17	SS 051180	TRIGGER
18	SS 051104	EBG-9 SWITCH
19	SS 0101Z	HANDLE GRIP
20	INCLUDED IN KIT	POWER CORD
21	INCLUDED IN KIT	HANDLE

KITS

SS 051166	EBG-9 COVER REPLACEMENT KIT (includes: 2,3,4)
SS 051106	MOTOR REPLACEMENT KIT (includes: 5, 6, 9)
SS 051115	BASE PLATE KIT (includes: 2, 9, 10, 11, 12, 13, 14, 15, 16)
SS 051157	HANDLE CONVERSION KIT (includes: 2, 3, 4, 7, 8, 20, 21)
SS 051101	ISOLATOR REPAIR KIT (includes: 2, 9, 11, 12, 13, 14, 15, 16)

Doodle Mop EBG-16



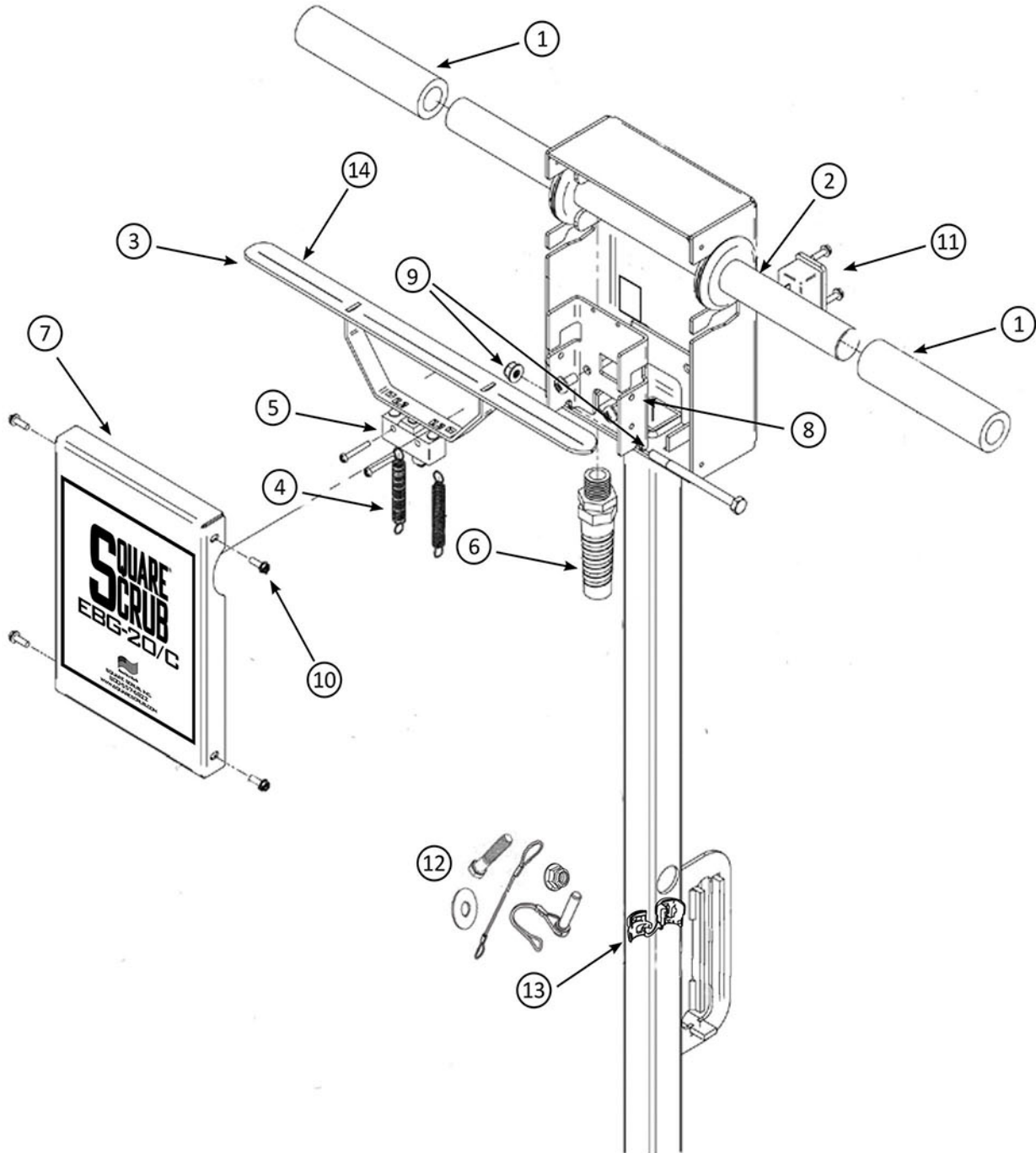
PARTS

ITEM NO.	PART NO.	PART DESCRIPTION
1	SS 100090	CARRY STRAP
2	N/A	ZIP TIE (2)
3	SS 051661	DOODLE COVER
4	INCLUDED IN KIT	MOTOR CORD
5	INCLUDED IN KIT	COVER SCREW (4) / WASHERS (4)
6	INCLUDED IN KIT	MOTOR
7	INCLUDED IN KIT	MOTOR BOLT (5)
8	SS 051170	PTC/VARISTOR HARNESS
9	INCLUDED IN KIT	HANDLE CORD
10	INCLUDED IN KIT	MOTOR SHAFT BOLT
11	INCLUDED IN KIT	ECCENTRIC ASSEMBLY
12	INCLUDED IN KIT	TOP ISOLATOR BOLT
13	INCLUDED IN KIT	ISOLATOR (4)
14	INCLUDED IN KIT	ISOLATOR SPACER (4)
15	INCLUDED IN KIT	BOTTOM ISOLATOR BOLT (4)
16	SS 051634	BASE PLATE
17	SS 051603V	GRIP FACE
18	SS 051180	TRIGGER
19	SS 051104	EBG-9 SWITCH
20	SS 0101Z	HANDLE GRIP
21	INCLUDED IN KIT	POWER CORD
22	INCLUDED IN KIT	HANDLE

KITS

SS 051666	EBG-16 COVER REPLACEMENT KIT (includes: 3, 4, 5)
SS 051106	MOTOR REPLACEMENT KIT (includes: 6, 7, 8, 9, 10)
SS 051615	BASE PLATE KIT (includes: 5, 10, 11, 12, 13, 14, 15, 16, 17)
SS 051601	ISOLATOR REPAIR KIT (includes: 5, 10, 12, 13, 14, 15, 16, 17)

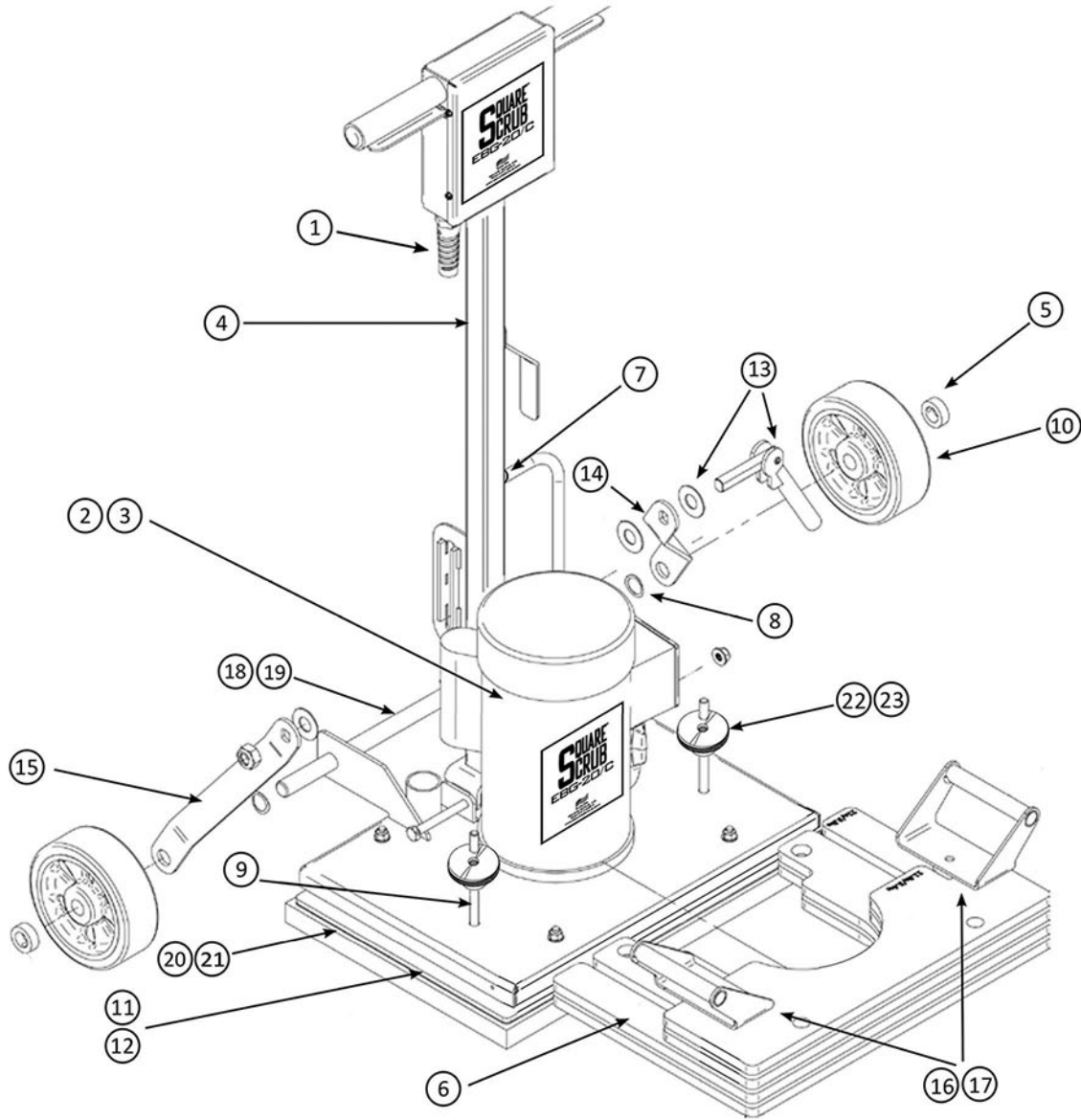
Upper handle assembly for pre-Pivot machines with serial numbers beginning with 32U.



Please provide machine serial number when ordering parts.

Item No.	Part No.	Part Description	Item No.	Part No.	Part Description
1	SS 0101Z	Foam Hand Grip	8	SS 0108Z	Switch Actuator Guide / Bracket
2	SS 142033	ISO Handle Bar	9	SS 01010Z	Switch Actuator Bolt and Nut
3	SS 0103Z	Switch Bar	10	SS 01011Z	Switch Cover Screw
4	SS 0104Z	Switch Spring	11	SS 142008	Hour Meter Kit
5	SS 142004	Micro Switch	12	SS 142012	Pin & Retainer for Two Piece Handle
6	SS 0106Z	Cord Strain Relief	13	SS 01019Z	Handle Cord Strain Relief
7	SS 0107Z	Switch Cover	14	SS 142034	Trigger End Cap

Lower assembly for pre-Pivot machines with serial numbers beginning with 32U.

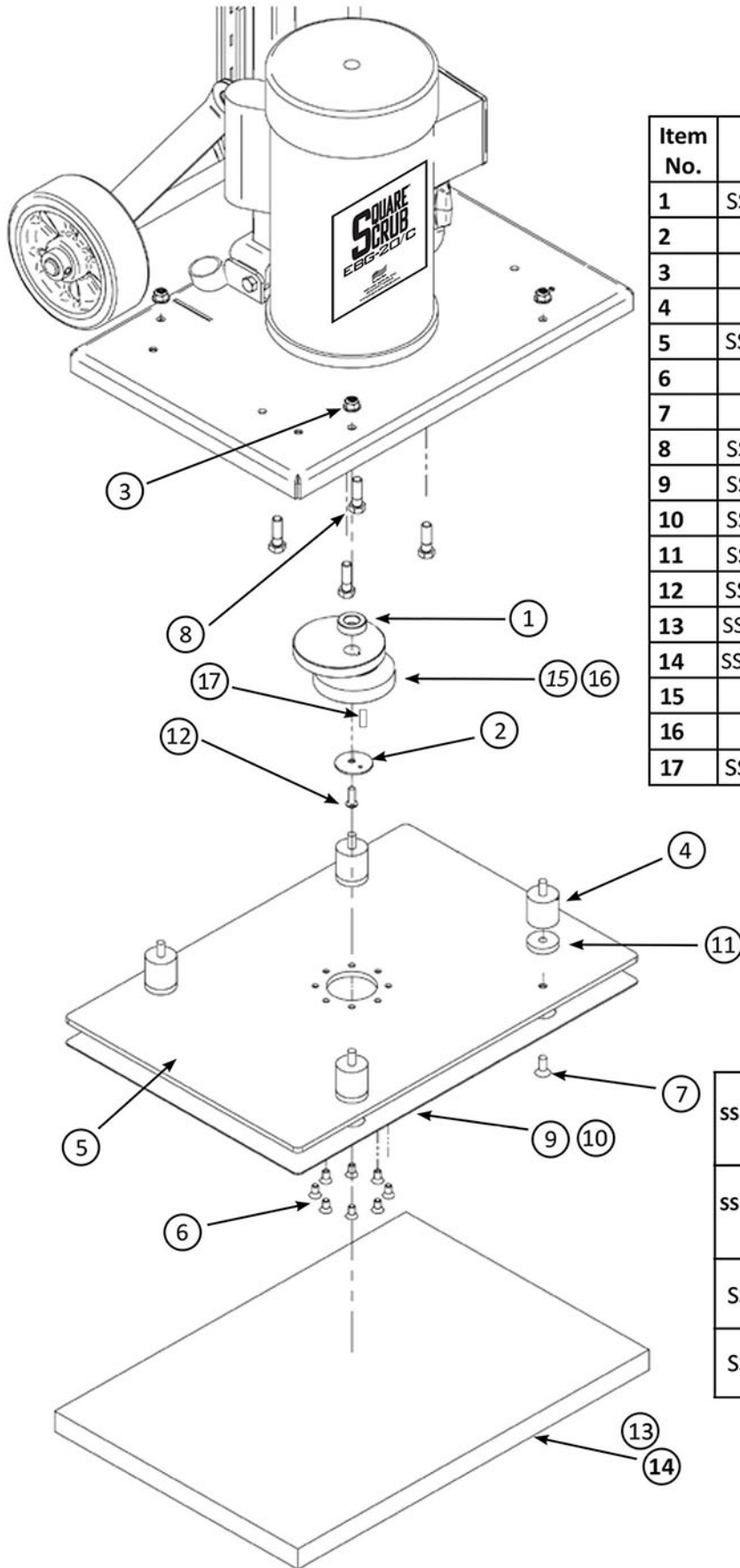


Please provide machine serial number when ordering parts.

Item No.	Part No.	Part Description	Item No.	Part No.	Part Description
1	SS 0106Z	Cord Strain Relief	13	SS 142018	Tension Handle Assembly
2	SS 142006-3450	Motor Assembly - 20" 3450 RPM	14	SS 01021ZR	Handle Adjustment Bar
3	SS 142806-3450	Motor Assembly - 28" 3450 RPM	15	SS 01021ZL	Handle Adjustment Bar
Not Shown	SS 01014Z	Power Cord Assembly	16	SS 142020	Heavy Duty Lift Handle 20"
4	SS 01015Z	Handle	17	SS 142820	Heavy Duty Lift Handle 28"
5	SS 01026Z	Axle Collar	Not Shown	SS 142010	Dust Containment Kit 20"
6	SS 142009	Large Plate Weight	Not Shown	SS 142810	Dust Containment Kit 28"
7	SS 01019Z	Strain Relief	18	N/A	Base 20"
8	SS 01024Z	Axle Wave Washer	19	N/A	Base 28"
9	SS 142013	Removable Weight Bolt	20	SS 142005	Skirt/Velcro 20"
10	SS 01025Z	Wheel	21	SS 142805	Skirt/Velcro 28"
11	SS 142015 SEAL	Base Plate Assembly 20"	22	SS 142014	Weight Knob 20"
12	SS 142815 SEAL	Base Plate Assembly 28"	23	SS 142814	Weight Knob 28"

***Specifications and information contained in this price list are subject to change without notice.

Base assembly for pre-Pivot machines with serial numbers beginning with 32U.



Item No.	Part No.	Part Description
1	SS 01016Z	Motor Shaft Spacer
2	N/A *	Motor Shaft Crush Washer
3	N/A *	Isolator Nut
4	N/A *	Isolator
5	SS 01034Z	Aluminum Driver Plate
6	N/A *	Bearing Bolts
7	N/A *	Isolator Bolt
8	SS 01031Z	Motor Bolt
9	SS 142003V	Grip Face 20"
10	SS 142803V	Grip Face 28"
11	SS 01033Z	Lift Handle/Isolator Washer
12	SS 01031ZB*	Motor Shaft Bolt
13	SS P1420BLU	Transport/Storage Pad 20"
14	SS P1428BLU	Transport/Storage Pad 28"
15	N/A*	Eccentric Assembly 20"
16	N/A*	Eccentric Assembly 28"
17	SS 142031	Key

*Part only available in a kit.

Kits

SS 142015SEAL	Base Plate Assembly 20" (includes: 1, 2, 4, 5, 6, 7, 9, 11, 12, 15, anit-sieze, & 100% silicone)
SS 142815SEAL	Base Plate Assembly 28" (includes: 1, 2, 4, 5, 6, 7, 9, 11, 12, 16, anit-sieze, & 100% silicone)
SS 142001	Isolator Repair Kit 20" (includes: 2, 4, 6, 7, 9, 11, 12)
SS 142801	Isolator Repair Kit 28" (includes: 2, 4, 6, 7, 10, 11, 12)

Please provide machine serial number when ordering parts.