

**SQUARE
SCRUB**®
Versatility²

**OWNER'S
MANUAL**

**SQUARE SCRUB
SURFACE PREPARATION MACHINES**



WWW.SQUARESCRUB.COM / 800.557.6822



About your Square Scrub Surface Preparation Machine

Doodle Scrub

Weighing in at 22 lbs., the EBG-9 gets in those tight spaces the big machines can't. Doodle Scrub deep cleans under urinals, behind toilets, and even works great on stairs. With a new patent pending handle/base design, the Doodle Scrub handle can be attached on either end or the middle of the base, allowing a more mop like motion for absolute versatility. Scrub pads are available in SQP dry prep, tile and grout, xtreme sponge, and more. The Doodle Scrub EBG-9 goes where you can't.

Doodle Mop

The Doodle Mop EBG-16 is designed for everyday floor mopping, and improved soil removal. The 4100-rpm motion drastically improves cleaning vs hand mopping. The Doodle Mop is perfect for mopping luxury vinyl tile, VCT, tile and grout, and more. The Doodle Mop works best with 18" disposable microfiber mops. The disposable microfiber pads greatly reduce the risk of cross contamination between rooms. Made of 304 series stainless steel, the Doodle Mop is durable, light weight, and easy to clean. The Doodle Mop is mopping made easy.

**Please read all installation, operation, & safety instructions
before using this machine.**

*****This product is for industrial/institutional/commercial use only*****

WARNING OF POTENTIAL INJURY MOVING PARTS UNPLUG BEFORE SERVICING!

General Safety

- This floor-finishing machine shall be grounded while in use to protect the operator from electric shock. The machine is provided with a three-conductor cord, and a three-contact grounding type attachment plug to fit the proper grounding type receptacle. The green (or green and yellow) conductor in the cord is the grounding wire. Never connect this wire to anything other than the grounding pin of the attachment plug.

- This machine is for use on a nominal 120-volt circuit and has a grounding plug that resembles the plug in figure 1. Make sure that the machine is connected to an outlet having the same configuration as the plug. See figure 1 on page 2.

- No adapter should be used with this machine.

Maintenance Schedule

Prior to using (daily)

- Check AC power cord. Do NOT operate equipment if AC power cord is cut, frayed, or if ground is missing.
- Check grip face and driver pad. Inspect for wear/debris.

After use (daily)

- Clean pad and base plate assembly. Remove or replace pad as needed.
- Inspect grip face for wear. Remove debris between grip face and base plate.
- Wipe entire unit with a damp microfiber cloth.
- Make certain a pad is placed on the grip face.

Weekly Preventative Maintenance

- Check grip face for wear.
- Use a vacuum to clean away debris build-up around base plate.

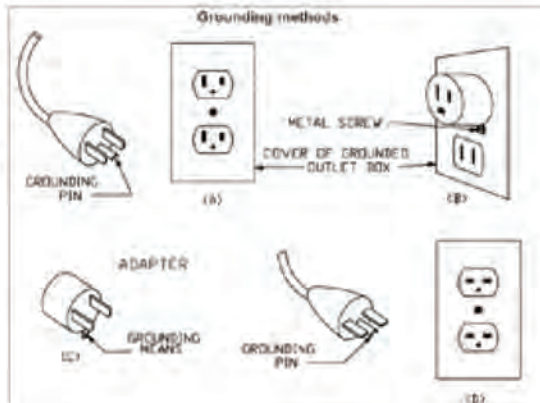
Annually

- Replace ALL isolators.
- Bearing assembly replace as needed.*

*The bearing assembly is considered to be a wear itm. We recommend that the bearing assembly be replaced as needed. Unit will become noisy when bearing needs to be replaced.

****NOTE:** Be sure to replace isolators when you replace the bearing.

***figure 1



Manual Conventions

Danger: Indicates an imminently hazardous situation which, if not avoided, may result in death or serious injury.

Caution: Indicates that machine or property damage could result if instructions are not followed.

Note: Provides helpful information. *Severe bodily injury or death can occur to you or other personnel if warnings found on this machine or in this owner's manual are ignored. Read and observe all statements and instructions found on the machine and in the owner's manual.*

Who to call for assistance?

If you work with a Square Scrub authorized dealer, contact them for assistance. If any contents of the box are missing, contact your Square Scrub authorized dealer. If you purchased your machine directly from Square Scrub, contact Square Scrub at 800.557.6822 for service in the United States and Canada. For worldwide service, call Square Scrub directly at 870.930.9898. Before calling, make sure you have the machine serial number, located on the machine handle.

Liability Statement

This Square Scrub product has been built to the highest industry standards. Please note and heed the WARNING and caution labels that have been placed on the equipment and in this manual for your safety. PLEASE DO NOT ATTEMPT TO OPERATE OR REPAIR THIS EQUIPMENT WITHOUT ADEQUATE TRAINING . ANY USE, OPERATION OR REPAIR IN CONTRAVENTION OF THIS DOCUMENT IS AT YOUR OWN RISK. BY ACCEPTANCE OF THIS SYSTEM YOU HEREBY ASSUME ALL LIABILITY CONSEQUENT TO YOUR USE OR MISUSE OF THIS EQUIPMENT. SQUARE SCRUB SHALL NOT BE LIABLE FOR ANY INCIDENTAL, INDIRECT, SPECIAL OR CONSEQUENTIAL DAMAGE OF ANY KIND.

Equipment specifications, applications and options are subject to change at the sole discretion of Square Scrub without notice.

Safety

All Square Scrub products are built to strict safety and reliability specifications in accordance with industry standards. Therefore, safety issues pertaining to operation and repair of Square Scrub equipment are primarily environmental and human interface. The following basic safety tips are given to ensure safe installation, operation and maintenance of Square Scrub machines.

Important

- Caution- This machine is intended for indoor use only.
- Caution- This machine is to be stored indoors only.
- Never leave the machine unattended while power cord is connected.
- Do not operate this machine while under the influence of alcohol or other drugs.



PPE Equipment

- Never allow children under age 18 to operate this machine.
- Unplug machine from power source before changing pad.
- Always wear personal protective equipment (PPE) when operating this machine.
- Never inhale dust created by the use of this machine. Any modifications to this machine may result in damage to the machine or injury to the operator or others nearby. Alterations to the machine will also void any and all warranty and liabilities.
- Sanding wood decks is not recommended by Square Scrub due to uneven surfaces which could lead to damage to the machine. Some pressure treated wood found in decking contains arsenic that, when sanded, will create hazardous dust. Square Scrub assumes no liability if the machine is used on decks, and damage caused from sanding pressure treated wood will not be warranted.
- Do not operate this machine around fuels, solvents, flammable floor finishes, thinners, wood particulate or any flammable materials. Cigarette lighters, pilot lights, electrical sparks and all other sources of ignition should be extinguished or avoided. Work areas should be well ventilated.
- Keep the power cord clear of the pad. Always lift the cord over the machine. Do not pull on the power cord in an attempt to move the machine. This could result in electrocution. Operating this machine with a damaged power cord could lead to electrocution or fire. Cord should remain clear of moving parts during operation. Never use the cord to navigate the machine. If the supply cord is damaged, it must be replaced by the manufacturer, its service agent or similarly qualified persons in order to avoid a hazard.
- Servicing this machine while still connected to a power source could lead to electrocution or fire. Before performing machine service or maintenance, disconnect the machine from the power source.
- Do not use machine if it has been sprayed with water or left out in the rain. This could result in a shock injury or electrocution.
- Keep feet, hands, and loose clothing away from any moving parts on the machine to avoid injury. Disconnect power cord before changing the pad or when servicing. Damage can occur to the machine or to other property if instructions in the owner's manual are not followed.
- This appliance is not intended for use by persons (including children) with reduced physical, sensory or mental capabilities, or lack of experience and knowledge, unless they have been given supervision or instruction concerning use of the appliance by a person responsible for their safety.

Warning: This appliance is not suitable for picking up hazardous dust.

Transport of Machine

To transport this machine, the following procedure is advised:

- Unplug machine from power source.
- Always leave a pad on the machine to protect the grip face from damage in transport and storage.
- Secure machine when transporting in a vehicle to prevent movement.
- **NEVER PICK THE DOODLE SCRUB OR DOODLE MOP UP BY THE HANDLE ALONE!**
- Always pick the Doodle Scrub or Doodle Mop up with one hand on the handle and the other hand picking up the base. Failure to do so could result in damage to the machine.

Operating Instructions

1. Move machine to work location. Never operate, transport, or store the machine without a pad to protect the grip face.
2. Affix the handle clip onto either of the base clips (see page 6 for handle clip info).
3. Ensure that the motor plug and handle plug are fully seated before operating.
4. Plug machine into grounded power outlet.
5. Hold the machine handle with one hand while gently pressing the switch on the top of the handle with the other hand.
6. Begin moving the machine over the floor in either a mop-like motion or along edges.
7. Continue moving the machine over the selected surface, checking your pad every 15 to 30 minutes (depending on pad in use) to maintain optimum performance.

Airborne Noise and Vibration Emissions

Sound Power Level:	Vibration Total at Base:
120V: Under 57 dBA	120V: Avg. 6.5 mm/s ² , max at 6.9 mm/s ²
240V: Under 57 dBA	240V: Avg. 5.8 mm/s ² , max at 6.0 mm/s ²

Important HANDLE ATTACHMENT

The Doodle Scrub EBG-9 comes with two different ways of connecting the handle to the base. It is extremely important that you connect the handle correctly to the base or else you run the risk of excessive noise and rattle. Figure 2 and figure 3 shows the incorrect and correct way to attach the handle to the Doodle Scrub EBG-9.

*****figure 2**
Incorrect way
of attaching handle to
the Doodle Scrub base.



*****figure 3**
Correct way of
attaching handle to
the Doodle Scrub base.



Grip Face Care

Be kind to your grip face

The grip face has a very tough life!

The Industrial Velcro one-piece grip face material on this Square Scrub machine is the very best we have ever tested! With proper care and attention, it will do a great deal of work for you. Our machine drives a huge amount of energy into the grip face and then the driver pad and then to the floor. Some pads are more durable and long lasting than others. All of the pads that we may use will wear out. The driver pads must be checked on a regular basis. The amount time the driver will last varies greatly based on the task being done. Some pads last longer than others in similar conditions. We encourage you to do some testing on pads to find the one that works best for your situation. Check the pad condition very often until you get a feel for about how long it is going to hold up. Time is the factor in how long a driver pad can last. Square footage is not a good measurement.

Very aggressive wet stripping pads that are being used in wet high alkaline caustic conditions really destroy driver pads quickly!!!! Some pads will break down in as little as five minutes. Other pads may last 15 minutes while other might be even better and last 30 minutes. It is difficult to know how long the driver will hold up. Lots of different pads and chemical strippers on the market.

Diamond grinding with Trizac™ or other types of diamonds uses lots of energy. Diamonds are doing a great deal of work on the floor surfaces. The result of the grinding is fine particles of the material being polished are contaminating the pad. These gritty particles get to work quickly breaking down and destroying not only the driver pads but also the grip face itself. If you are doing a diamond grinding project please have some spare grip faces on hand. Even being super cautious and aware grip faces will still get destroyed.

Here are links to our website videos showing how to replace the grip face. The first one shows the best way to do a replacement. The second one shows a method that will work in the field if you are in the middle of a project and need to get back to work fast.

www.squarescrub.com/assets/grip-face-replacement.mp4

www.squarescrub.com/assets/grip-face-replacement-fast.mp4

This is our Square Scrub driver pad that seems to perform well in most situations.

SS P0511DRIVER | White Driver Pad for the Doodle Scrub | Sold 48/case

SS 0410Z | Disposable Microfiber Pad for the Doodle Mop | Sold 25/pack

Thick white pads work and thick blue also work. Test each pad in your situation with

Grip Face Care

Check the driver pad every 15 minutes to start:

After you have ran the machine and the pads you will establish a realistic pad life expectation. You must tilt the machine on its back to inspect the pad. Many times, the outside edge of the pad will still look new but the underside of the pad where the work is being done will be destroyed.

Rotate the driver pad and working pad each time you check it:

We see the rear right-hand corner get worn more quickly than the rest of the pad most of the time. Our machine rotates clockwise which creates more pressure on that side. This is where you will see wear the soonest.

Wet chemical stripping:

Chemical strippers speed up how fast the pads break down. Wet stripping is normally done with very aggressive super abrasive pads. This type of aggressive pad also works to destroy the driver pads fast. Watch your pads very closely until you get a feel for how long they will last.

Test out different pads:

Test several different pads for yourself in your buildings with your floors and your chemicals. We have tested lots of pads from everyone we know of that makes pads. Some pads are better than others. Please try some options if you are unhappy with how well the pads you are using hold up.

Store your machine on its back if possible:

Never put your machine on the floor without a pad covering the grip face. The “teeth” on the grip face can be damaged if they don’t have a pad on them

Be kind to your grip face it has a very tough life!

SS 051103V | Doodle Scrub grip face | Sold Individually
SS 051603V | Doodle Mop grip face | Sold Individually

Troubleshooting

Problem	Cause	Action
Unit runs correctly but stops. It works fine after 3-10 minutes.	<p>Incorrect pad is being used. Only use pads recommended by Square Scrub.</p> <p>See page 11 for a complete list of recommended pads.</p>	Use correct pad. If problem continues contact you nearest Square Scrub dealer.
Machine will not start	<p>Not connected to power source.</p> <p>Voltage too low.</p> <p>Defective switch.</p>	<p>Check power source connection and lighted.</p> <p>Have electrician check outlet.</p> <p>Contact Square Scrub dealer</p>
Runs erratically	<p>Low voltage from excessive length or undersized extension cord.</p> <p>Defective start switch.</p> <p>Defective motor low voltage.</p>	<p>Use 10 gauge extension cord. Not more than 25' long.</p> <p>Contact Square Scrub dealer.</p> <p>Contact Square Scrub dealer.</p>
Fuse/Circuit Breaker Trips	<p>Low voltage.</p> <p>Low input volts</p>	<p>Allow the motor to cool.</p> <p>Eliminate extension cord.</p> <p>Locate power cord closer to work site.</p> <p>Have voltage checked by electrician.</p>
<p>Machine pulls hard to one side</p> <p>Note: The rubber isolators on the EBG are considered wear items. It is recommended to replace the entire set of all four isolators once per year (or sooner under heavy use) to prevent failure and damage to the machine.</p>	<p>Worn Pad.</p> <p>Rubber isolators are worn out.</p>	<p>Rotate pad 180 degrees.</p> <p>Flip pad over.</p> <p>Replace Pad.</p> <p>Replace isolators.</p>
Machine is noticeably louder than it was when originally purchased	Rubber isolators worn.	Replace isolators

Doodle Scrub & Doodle Mop 1 Year Limited Warranty on parts and 90 days Limited Warranty on Labor

General

This Square Scrub EBG-9 Doodle Scrub Floor Preparation Machine is warranted to be free from defects in materials and workmanship under normal use and service for a period of one year on machine handle and base when operated and maintained in accordance with Square Scrub Maintenance and Operating Instructions. The warranty will commence on the purchase date by the original end user from an authorized Square Scrub dealer and is subject to proof of purchase. If proof of purchase cannot be provided, the warranty shall begin from the date of shipment to an authorized Square Scrub dealer. Parts replaced or repaired under warranty are guaranteed for the remainder of the original warranty period. The warranty period is subject to the conditions stated below.

Labor to repair the unit is also included for the first 90 days from date of original purchase. Unit must be returned to Square Scrub for all repairs other than the handle switch. End user must ship the unit to Square Scrub at their expense. Unit will be repaired or replaced and returned to the end user or the authorized Square Scrub dealer by normal ground shipping method at Square Scrub's expense. Square Scrub is not responsible for lost time involved in the repair time.

Disqualifications

This warranty shall not apply to repairs resulting from accidents or misuse, damage in transit, overloading the capacity of the machine, damage resulting from lack of proper maintenance or care as described in the Maintenance Schedule and General Operating Instructions listed in the Owner's Manual. Minor adjustments, not related to the replacement of parts, are not covered. Repairs or alterations made by an organization other than the factory or an Authorized Service Center are not covered and will void warranty as it relates to the parts or systems repaired or altered by the non-authorized organization.

Product Exceptions, Exclusions, & Wear Items

- Machine Cord
- Blue Driver Pad (shipped with machine)
- Grip face
- Cushion hand grip
- Rubber Isolators
- Eccentric Assembly (includes bearing)

If a difficulty develops with the product, contact your local Square Scrub dealer or call Square Scrub at 800.557.6822. Only Square Scrub can authorize repairs under warranty. Square Scrub may elect to require the return of components to validate a claim. Any defective part to be returned must be shipped freight prepaid to an authorized Square Scrub Dealer/Service Center or to the Square Scrub factory. Travel time and mileage is not covered on any repairs.

Square Scrub's liability under this warranty is limited to repair of the product and/or replacement of parts and is given to purchaser in lieu of all other remedies, including INCIDENTAL AND CONSEQUENTIAL DAMAGES. THERE ARE NO EXPRESS WARRANTIES OTHER THAN THOSE SPECIFIED HEREIN. THERE ARE NO WARRANTIES WHICH EXTEND BEYOND THE DESCRIPTION OF THE FACE HEREOF. NO WARRANTIES, INCLUDING BUT NOT LIMITED TO WARRANTY OF MERCHANTABILITY, SHALL BE IMPLIED.

Please register your machine on our website within thirty (30) days of purchase to assist Square Scrub in providing the performance you expect from your new floor machine.

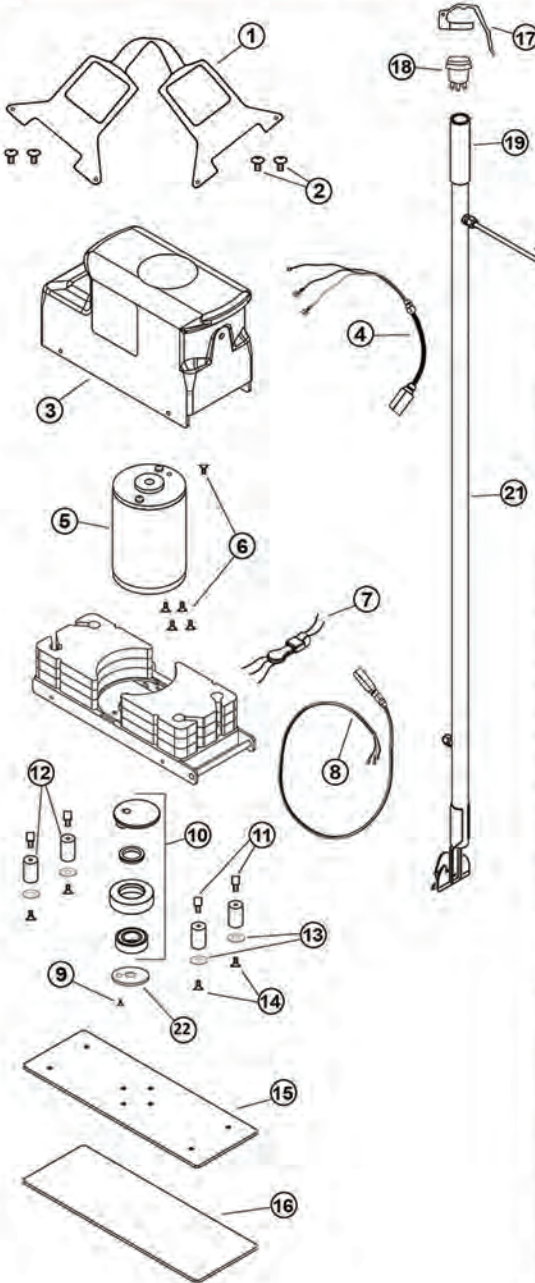
Repairs after the first 90 days of the warranty period but still during the first 12 months will be done for \$69 to cover labor and Square Scrub will prepay the shipping to return the Doodle Scrub if it is an under warranty repair.

Repairs after the first 12 months will be done for \$69 flat fee plus the cost of parts and shipping.

Machine Serial # _____

Date of Purchase: _____

Doodle Scrub Parts Breakdown



PARTS

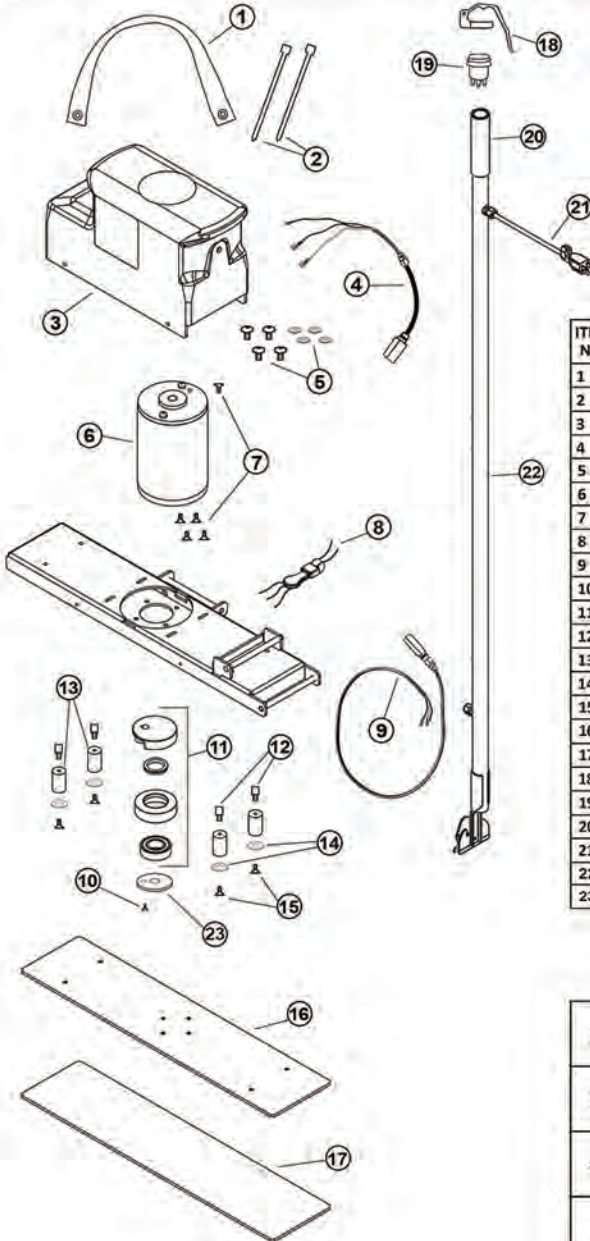
ITEM NO.	PART NO.	PART DESCRIPTION
1	SS 051190	CARRY STRAP
2	INCLUDED IN KIT	COVER SCREW (4)
3	SS 051161	DOODLE COVER
4	INCLUDED IN KIT	MOTOR CORD
5	INCLUDED IN KIT	MOTOR
6	INCLUDED IN KIT	MOTOR BOLT (5)
7	SS 051170	PTC/VARISTOR HARNESS
8	INCLUDED IN KIT	HANDLE CORD
9	INCLUDED IN KIT	MOTOR SHAFT BOLT
10	INCLUDED IN KIT	ECCENTRIC ASSEMBLY
11	INCLUDED IN KIT	TOP ISOLATOR BOLT
12	INCLUDED IN KIT	ISOLATOR (4)
13	INCLUDED IN KIT	ISOLATOR SPACER (4)
14	INCLUDED IN KIT	BOTTOM ISOLATOR BOLT (4)
15	SS 051134	BASE PLATE
16	SS 051103V	GRIP FACE
17	SS 051180	TRIGGER
18	SS 051104	EBG-9 SWITCH
19	SS 0101Z	HANDLE GRIP
20	INCLUDED IN KIT	POWER CORD
21	INCLUDED IN KIT	HANDLE
22	INCLUDED IN KIT	CRUSH WASHER

KITS

SS 051166	EBG-9 COVER REPLACEMENT KIT (includes: 2,3,4)
SS 051106	MOTOR REPLACEMENT KIT (includes: 5, 6, 9)
SS 051116	BASE PLATE KIT (includes: 2, 9, 10, 11, 12, 13, 14, 15, 16, 22)
SS 051157	HANDLE CONVERSION KIT (includes: 2, 3, 4, 7, 8, 20, 21)
SS 051101	ISOLATOR REPAIR KIT (includes: 2, 9, 11, 12, 13, 14, 16)

Doodle Mop Parts Breakdown

Doodle Mop
EBG-16



PARTS

ITEM NO.	PART NO.	PART DESCRIPTION
1	SS 100090	CARRY STRAP
2	N/A	ZIP TIE (2)
3	SS 051661	DOODLE COVER
4	INCLUDED IN KIT	MOTOR CORD
5	INCLUDED IN KIT	COVER SCREW (4) / WASHERS (4)
6	INCLUDED IN KIT	MOTOR
7	INCLUDED IN KIT	MOTOR BOLT (6)
8	SS 051170	PTC/VARISTOR HARNESS
9	INCLUDED IN KIT	HANDLE CORD
10	INCLUDED IN KIT	MOTOR SHAFT BOLT
11	INCLUDED IN KIT	ECCENTRIC ASSEMBLY
12	INCLUDED IN KIT	TOP ISOLATOR BOLT
13	INCLUDED IN KIT	ISOLATOR (4)
14	INCLUDED IN KIT	ISOLATOR SPACER (4)
15	INCLUDED IN KIT	BOTTOM ISOLATOR BOLT (4)
16	SS 051634	BASE PLATE
17	SS 051603V	GRIP FACE
18	SS 051180	TRIGGER
19	SS 051104	EBG-9 SWITCH
20	SS 0101Z	HANDLE GRIP
21	INCLUDED IN KIT	POWER CORD
22	INCLUDED IN KIT	HANDLE
23	INCLUDED IN KIT	CRUSH WASHER

KITS

SS 051666	EBG-16 COVER REPLACEMENT KIT (includes: 3, 4, 6)
SS 051106	MOTOR REPLACEMENT KIT (includes: 6, 7, 8, 9, 10)
SS 051615	BASE PLATE KIT (includes: 5, 10, 11, 12, 13, 14, 15, 16, 17, 23)
SS 051601	ISOLATOR REPAIR KIT (includes: 5, 10, 12, 13, 14, 15, 17)

Doodle Scrub Pad Information

Blue Tile & Grout Pad | SS P0511TGB | Sold Individually

Our Tile & Grout Pad is best used on grouted tile floors, but can be used very effectively on terrazo, poured non-slip, concrete and other uneven floors. Use wet on several surfaces.

White Driver Pad | SS P0511DRIVER | Sold - 48/case

The White Driver Pad is primarily a spacer pad. Just 1/4" thick, use this pad with SQP, SHO, and diamonds. Always check spacer and driver pads frequently for wear and replace as needed.

Blue Driver Pad | SS P0511BLU | Sold - 18/case

This medium to heavy duty blue pad can be used for heavier cleaning and buffing situations, but primarily used as a spacer pad. Always check spacer and driver pads frequently for wear and replace as needed. Use wet or dry on VCT and tile.

White Pad | SS P0511WHT | Sold - 16/case

The White Pad is used as a light duty polish pad. The 1" thick pad is used without a driver pad, and is great for spreading chemicals while buffing.

Xtreme Sponge | SS P0511XTR | Sold - 5/case

Use the Xtreme Sponge to remove scuff marks on VCT or bathroom tile. A little water and this melamine pad deep cleans & restores shine between refinishing jobs. Use wet on VCT and tile.

SHO Pad | SS P0511SHO | Sold - 20/case

The SHO Pad should be used only for the heaviest of chemical stripping jobs. Extremely abrasive and heavy with dense fibers. Best when dirt and buildup are severe. Use wet on VCT and tile.

SQP Pad | SS P0511SQP | Sold - 60/case

SQP is a thin pad designed to remove floor finish without chemicals. Remove several layers of acrylic finish to prep for recoating. USE dry or wet on VCT and tile.

Doodle Mop Pad Information

Disposable Microfiber Pad | SS 0410Z | Sold - 25/pack

The Doodle Mop disposable microfiber pad helps increase soil removal and reduce cross contamination.

Notes

SQUARE SCRUB[®]

Versatility²

SQUARE SCRUB SURFACE PREPARATION MACHINES



**SCAN TO REGISTER
YOUR NEW MACHINE**



**800-557-6822
WWW.SQUARESCRUB.COM**